

VULCAN

CATALOG OF REPLACEMENT PARTS

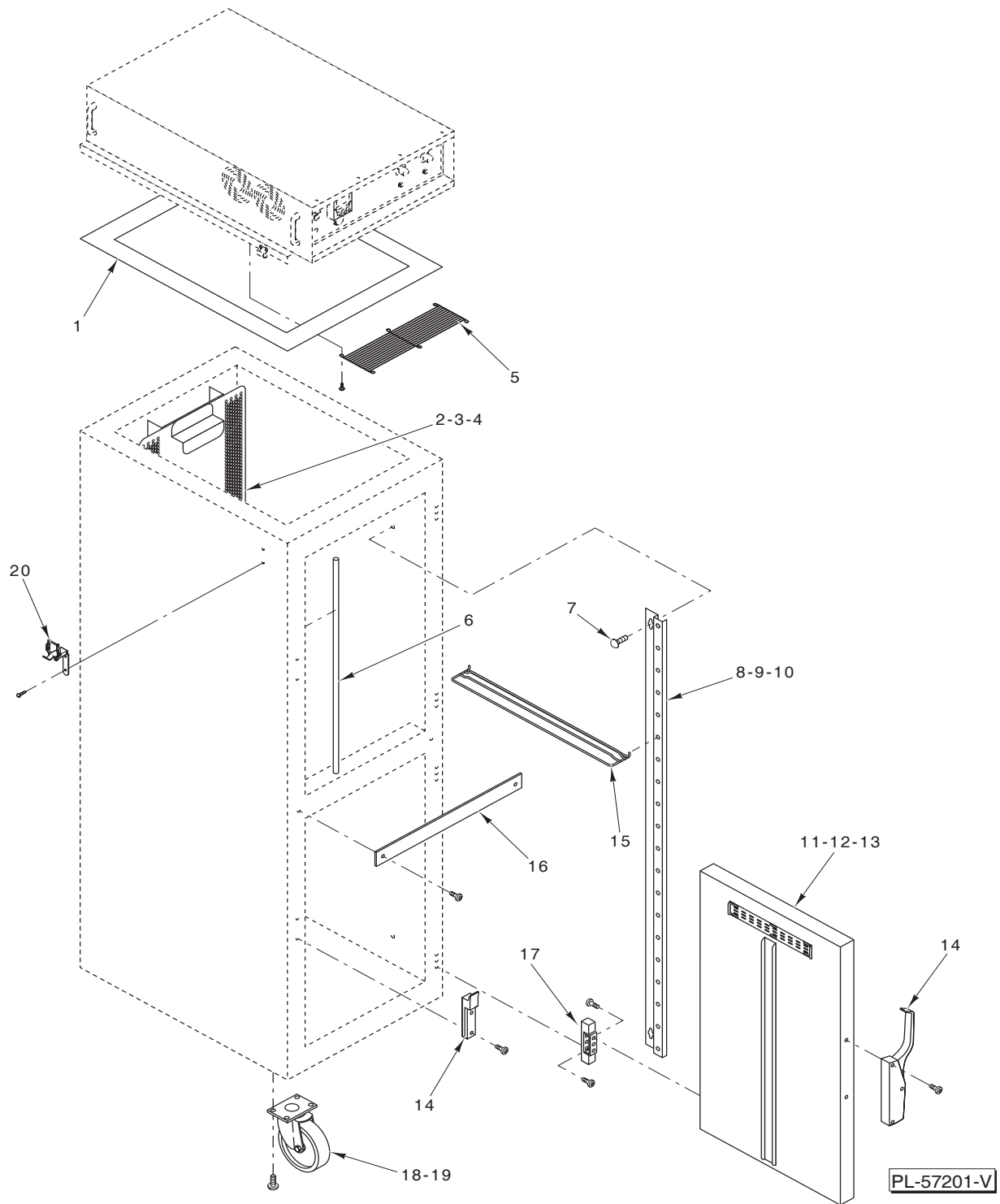
VCH SERIES COOK & HOLD CABINETS

MODEL

| | |
|--------------|------------------|
| <i>VCH5</i> | <i>ML-126339</i> |
| <i>VCH8</i> | <i>ML-126340</i> |
| <i>VCH16</i> | <i>ML-126341</i> |
| <i>VCH88</i> | <i>ML-126342</i> |



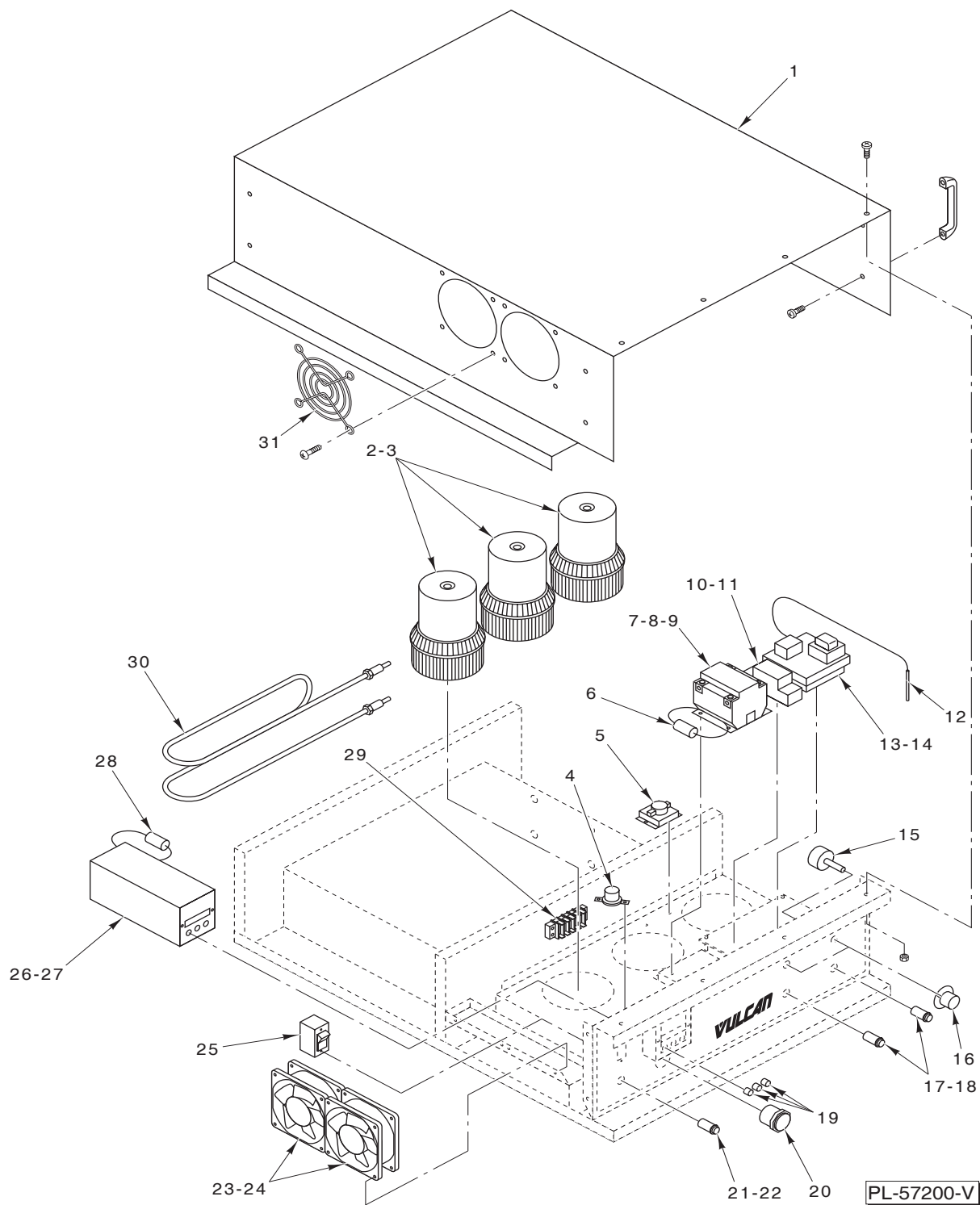
For additional information on Vulcan-Hart or to locate an authorized parts and service provider in your area, visit our website at www.vulcanhart.com



CABINET AND DOOR

CABINET AND DOOR

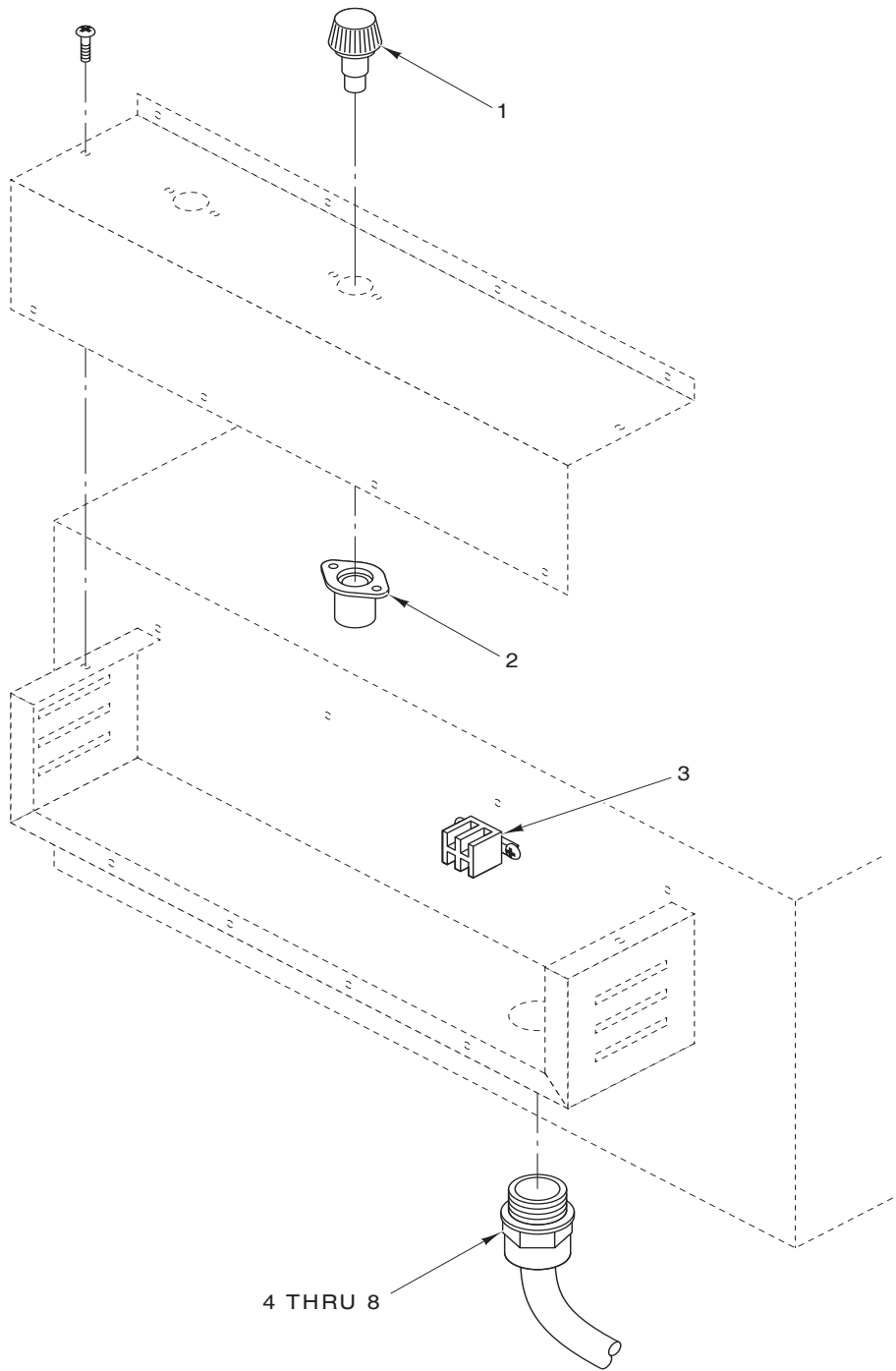
| ILLUS. PL-57201-V | PART NO. | NAME OF PART | AMT. |
|----------------------|-----------------|---|------|
| 1 | 00-851800-00066 | Gasket – Hot Top Seal (Orange)..... | AR |
| 2 | 00-851800-00091 | Tunnel – Air Flow (VCH5)..... | 1 |
| 3 | 00-851800-00092 | Tunnel – Air Flow (VCH8, VCH88)..... | AR |
| 4 | 00-851800-00093 | Tunnel – Air Flow (VCH16)..... | 1 |
| 5 | 00-851800-00037 | Grate – Blower Air..... | AR |
| 6 | 00-851800-00017 | Gasket – Door Seal (Black) (Sold Per Foot)..... | AR |
| 7 | 00-851800-00026 | Bolt – Retaining (Side Rack)..... | AR |
| 8 | 00-851800-00075 | Support – Rack (VCH8, VCH88)..... | 4 |
| 9 | 00-851800-00076 | Support – Rack (VCH16)..... | 4 |
| 10 | 00-851800-00074 | Support – Rack (VCH5)..... | 4 |
| 11 | 00-851800-00053 | Door (VCH8, VCH88)..... | AR |
| 12 | 00-851800-00054 | Door (VCH16)..... | 1 |
| 13 | 00-851800-00052 | Door (VCH5)..... | 1 |
| 14 | 00-851800-00056 | Latch – Door (Complete w/Catch)..... | AR |
| 15 | 00-851800-00310 | Slide – Universal (Set of 2)..... | AR |
| 16 | 00-851800-00329 | Bar – Divider (VCH16)..... | 1 |
| 17 | 00-851800-00018 | Hinge – Door..... | AR |
| 18 | 00-851800-00038 | Caster – Heavy Duty (Rigid)..... | 2 |
| 19 | 00-851800-00039 | Caster – Heavy Duty (Swivel W/Brake)..... | 2 |
| 20 | 00-851800-00068 | Latch – Spring Load (Incls. Screws)..... | AR |
| | 00-851800-00063 | Gasket – Door (Alum Extrusion) (VCH5)..... | 1 |
| | 00-851800-00064 | Gasket – Door (Alum Extrusion) (VCH8, VCH88)..... | AR |
| | 00-851800-00065 | Gasket – Door (Alum Extrusion) (VCH16)..... | 2 |



CONTROLS AND COMPONENTS

CONTROLS AND COMPONENTS

| ILLUS. PL-57200-V | PART NO. | NAME OF PART | AMT. |
|----------------------|-----------------|---|------|
| 1 | 00-851800-00043 | Cover – Control Top | AR |
| 2 | 00-851800-00035 | Motor – Blower (120 V.) | AR |
| 3 | 00-851800-00036 | Motor – Blower (208-240 V.) | AR |
| 4 | 00-851800-00087 | Thermostat – Cooling Fan | AR |
| 5 | 00-851800-00086 | Thermostat – Hi-Limit | AR |
| 6 | 00-851800-00081 | Suppressor (Orange) | AR |
| 7 | 00-851800-00040 | Contactactor (2 Pole) (120 V.) | AR |
| 8 | 00-851800-00041 | Contactactor (2 Pole) (208-240 V.) | AR |
| 9 | 00-851800-00042 | Contactactor (3 Pole) (208-240 V.) | AR |
| 10 | 00-851800-00077 | Relay (120 V.) | AR |
| 11 | 00-851800-00047 | Relay (208-240 V.) (New Controller Assy.) | AR |
| 12 | 00-851800-00047 | Probe – Air (New Controller Assy.) | AR |
| 13 | 00-851800-00044 | Controller (120 V.) | AR |
| 14 | 00-851800-00047 | Controller (208-240 V.) (New Controller Assy.) | AR |
| 15 | 00-851800-00046 | Potentiometer (120 V.) | AR |
| | 00-851800-00047 | Potentiometer (Set of 2) (New Controller Assy.) | AR |
| 16 | 00-851800-00072 | Knob | AR |
| 17 | 00-851800-00069 | Light – Indicator (125 V.) | AR |
| 18 | 00-851800-00070 | Light – Indicator (250 V.) | AR |
| 19 | 00-851800-00090 | Button – Timer (Set of 3) | AR |
| 20 | 00-851800-00083 | Switch – Pushbutton (Blue) | AR |
| | 00-851800-00624 | Switch – Pushbutton (Red) (Touch Matic Digital Controller) | AR |
| 21 | 00-851800-00069 | Light – Indicator (125 V.) | AR |
| 22 | 00-851800-00070 | Light – Indicator (250 V.) | AR |
| 23 | 00-851800-00058 | Fan – Cooling (120 V.) | AR |
| 24 | 00-851800-00059 | Fan – Cooling (208-240 V.) | AR |
| 25 | 00-851800-00082 | Switch – Rocker | AR |
| 26 | 00-851800-00088 | Timer (120 V.) | AR |
| 27 | 00-851800-00089 | Timer (208-240 V.) | AR |
| 28 | 00-851800-00081 | Suppressor (Orange) | AR |
| 29 | 00-851800-00084 | Block – Terminal (Internal Distribution) | AR |
| 30 | 00-851800-00057 | Element (120/208-240 V.) | AR |
| 31 | 00-851800-00060 | Screen – Fan | AR |
| * | 00-851800-00046 | Controller Assy. (120 V.) (Incls. Items 10, 12, 13, & 15) | AR |
| * | 00-851800-00047 | Controller Assy. (208-240 V.) (Incls. Items 11, 12, 14, & 15) | AR |
| * | 00-851800-00588 | Thermometer (With Dial) (400 F.) | AR |
| * | 00-851800-00629 | Standoffs, Controller (Set of 3) | AR |
| * | 00-851800-00628 | Thermostat, Infinite Switch | AR |
| * | 00-851800-00477 | Touch Matic Digital Controller | AR |
| * | 00-851800-00321 | Control Panel Decal (Black) (Touch Matic Digital Controller) | AR |
| * | 00-851800-00307 | Air Probe (Touch Matic Digital Controller) | AR |
| * | | Not Shown | |



PL-57202

POWER BOX

POWER BOX

| ILLUS. PL-57202 | PART NO. | NAME OF PART | AMT. |
|--------------------|-----------------|---|------|
| 1 | 00-851800-00062 | Fuse (3 Amp.) | AR |
| 2 | 00-851800-00061 | Holder – Fuse | AR |
| 3 | 00-851800-00085 | Block – Terminal | AR |
| 4 | 00-851800-00048 | Cord – Power (6 Ft.) (208 V.) (VCH5, VCH8, VCH88) | AR |
| 5 | 00-851800-00049 | Cord – Power (6 Ft.) (208 V.) (VCH16) | 1 |
| 6 | 00-851800-00050 | Cord – Power (6 Ft.) (120 V.) | AR |
| 7 | 00-851800-00080 | Strain – Relief | AR |
| 8 | 00-851800-00336 | Strain – Relief (VCH16) | 1 |

RECOMMENDED SPARE PARTS

| PART NO. | NAME OF PART | AMT. |
|-----------------|---|------|
| 00-851800-00017 | Door Gasket (By Foot) | AR |
| 00-851800-00018 | Door Hinge | 4 |
| 00-851800-00035 | Blower Motor Kit (115 V.) | AR |
| 00-851800-00036 | Blower Motor Kit (208-240 V.) | AR |
| 00-851800-00040 | Contactor (2-pole, 115 V.) | 1 |
| 00-851800-00041 | Contactor (2-pole, 208-240 V.) | 1 |
| 00-851800-00042 | Contactor (3-pole, 208-240 V.) | 1 |
| 00-851800-00044 | Controller Only (120 V.) | 1 |
| 00-851800-00046 | Controller, Complete (120 V.) | 1 |
| 00-851800-00047 | Controller, Complete (208-240 V.) | 1 |
| 00-851800-00056 | Door Latch, Complete | 2 |
| 00-851800-00057 | Element (1900 W) (120/208-240 V.) | AR |
| 00-851800-00058 | Cooling Fan (115 V.) | 2 |
| 00-851800-00059 | Cooling Fan (208-240 V.) | 2 |
| 00-851800-00061 | Fuse Holder (3-amp) | 2 |
| 00-851800-00062 | Fuse (3-amp) | 2 |
| 00-851800-00069 | Indicator Lamp (115 V.) | AR |
| 00-851800-00070 | Indicator Lamp (250 V.) | AR |
| 00-851800-00077 | Relay (120 V.) | 1 |
| 00-851800-00082 | Switch, ON/OFF Rocker | 1 |
| 00-851800-00083 | Switch, Push Button Start | 1 |
| 00-851800-00086 | Thermostat, High Limit | 1 |
| 00-851800-00087 | Thermostat, Cooling Fans | 1 |
| 00-851800-00088 | Timer (115 V.) | 1 |
| 00-851800-00089 | Timer (208-240 V.) | 1 |
| 00-851800-00090 | Timer Buttons (Set of 3) | 1 |