



INSTALLATION & OPERATION MANUAL

C24EO SERIES STEAMER

MODEL ML
 MANUAL FILL

C24EO3 ML-136006

C24EO5 ML-136007

AUTO-FILL TECHNOLOGY

C24EO3AF ML-152054

C24EO5AF ML-152055



For additional information on Vulcan or to locate an authorized parts
and service provider in your area, visit our website at www.vulcanequipment.com

IMPORTANT FOR YOUR SAFETY

THIS MANUAL HAS BEEN PREPARED FOR PERSONNEL QUALIFIED TO INSTALL THIS EQUIPMENT, WHO SHOULD PERFORM THE INITIAL FIELD START-UP AND ADJUSTMENTS OF THE EQUIPMENT COVERED BY THIS MANUAL.

⚠ WARNING

IMPROPER INSTALLATION, ADJUSTMENT, ALTERATION, SERVICE OR MAINTENANCE CAN CAUSE PROPERTY DAMAGE, INJURY OR DEATH. READ THE INSTALLATION, OPERATING AND MAINTENANCE INSTRUCTIONS THOROUGHLY BEFORE INSTALLING OR SERVICING THIS EQUIPMENT.

IN THE EVENT OF A POWER FAILURE, DO NOT ATTEMPT TO OPERATE THIS DEVICE.

TABLE OF CONTENTS

INSTALLATION, OPERATION AND CARE OF MODEL C24EO SERIES STEAMERS.....	5
GENERAL.....	5
INSTALLATION.....	5
UNPACKING.....	5
INSTALLATION CODES AND STANDARDS	5
LOCATION.....	6
LEVELING FEET	6
LEVELING	6
ANCHORING STEAMER	6
OPTIONAL ACCESSORIES.....	6
ELECTRICAL CONNECTIONS.....	7
ELECTRICAL DATA.....	8
SERVICE CONNECTIONS	8
Water Connections (Manual Fill Units)	8
Water Connections (Auto-Fill Units)	8
Water Requirements	8
Drain Connection	8
VENT HOOD	9
BEFORE FIRST USE	9
INSTALLATION STARTUP PROCEDURE	9
Calibration Procedure	10
OPERATION.....	12
CONTROLS.....	12
OPERATING THE STEAMER	12
LOW WATER.....	13
SHUTDOWN	13
EXTENDED SHUTDOWN.....	13
CLEANING	14
COOKING COMPARTMENT DRAIN.....	14
COMPARTMENT.....	14
DOOR GASKET	14
LEAVE COMPARTMENT DOOR OPEN.....	14
STAINLESS STEEL EQUIPMENT CARE AND CLEANING	15
MAINTENANCE	17
REMOVAL OF LIME SCALE DEPOSITS.....	17
DOOR GASKET	17

COOKING HINTS..... 18

 ACCEPTABLE PAN SIZES 18

 COOKING GUIDELINES..... 18

 PREPARATION 18

 Frozen Food Items..... 18

 PRODUCTS TO BE COOKED IN SOLID PANS 19

 PRODUCTS TO BE COOKED IN PERFORATED PANS..... 20

TROUBLESHOOTING 22

SERVICE AND PARTS INFORMATION..... 23

INSTALLATION, OPERATION AND CARE OF MODEL C24EO SERIES STEAMERS

PLEASE KEEP THIS MANUAL FOR FUTURE USE

GENERAL

Vulcan convection steamers are produced with quality workmanship and material. Proper installation, usage and maintenance will result in many years of satisfactory performance. It is suggested that you thoroughly read this entire manual and carefully follow all of the instructions provided.

The C24EO3 Steamer is rated at 8.0 kW and the C24EO5 Steamer is rated at 12.0 kW.

Model C24EO3 can accommodate three 2¹/₂" deep (6.4 cm) steam pans. Model C24EO5 can accommodate five 2¹/₂" deep (6.4 cm) steam pans. The C24EO3 and C24EO5 electric convection steamers are designed for cooking vegetables, eggs, and other foods, in commercial kitchens. The steamer has a 0 to 60 minute timer. The steamers are designed for installation on countertops or on optional stands.

New to this product line are the C24EO3AF & C24EO5AF Auto-Fill models. These models fill the cavity with water automatically. The physical dimensions, cooking instructions and electrical specifications are the same as the standard C24EO models.

INSTALLATION

Before installing, verify that the electrical supply agrees with the specifications on the data plate located on the front of the steamer in the lower right hand corner. If the supply and equipment requirements do not agree, do not proceed with the installation. Contact your dealer or Vulcan immediately.

The C24EO3 is shipped pre-wired for 208 V, 50 to 60 Hz, 3-phase. 240 V and single phase operation require changes to the heater connection 240 V, 50 to 60 Hz, 3-phase / 240 V, 50 to 60 Hz, 1-phase and 208 V, 50 to 60 Hz, 1-phase.

The C24EO5 is voltage specific. It is available at 208 V, 50 to 60 Hz, 3-phase / 240 V, 50 to 60 Hz, 3-phase or 480 V, 50 to 60 Hz, 3-phase. It can be field converted to single phase.

UNPACKING

This steamer was inspected before leaving the factory. The transportation company assumes full responsibility for safe delivery upon acceptance of the shipment. Immediately after unpacking, check for possible shipping damage. If the steamer is found to be damaged, save the packaging material and contact the carrier within 15 days of delivery.

INSTALLATION CODES AND STANDARDS

The steamer must be installed in accordance with:

In the United States of America:

1. State and local codes.
2. National Electrical Code, ANSI/NFPA-70 (latest edition). Copies may be obtained from The National Fire Protection Association, Batterymarch Park, Quincy, MA 02269.
3. *Vapor Removal from Cooking Equipment*, (NFPA-96, latest edition) available from NFPA.

In Canada:

1. Local codes.
2. Canadian Electric Code, CSA C22.2 (latest edition). Copies may be obtained from The Canadian Standard Association, 5060 Spectrum Way, Suite 100, Mississauga, Ontario, Canada L4W 5N6.

LOCATION

The installation location must allow adequate clearances for servicing and proper operation. Minimum clearance for proper air circulation is 2" (5.1 cm) on the sides and 6" (15.2 cm) on the back.

LEVELING FEET

This steamer is shipped with four 2" leveling feet. Optional 4" leveling feet are available. The 2" feet can be removed and the optional 4" feet can be threaded into holes on the bottom of the unit.

LEVELING

Position and level the unit using leveling feet. Front of unit should be $\frac{1}{16}$ " to $\frac{1}{8}$ " higher than the rear as indicated in Figure 1. Unit should be level side to side.

Level the steamer front to back and side to side by turning the adjustable feet.

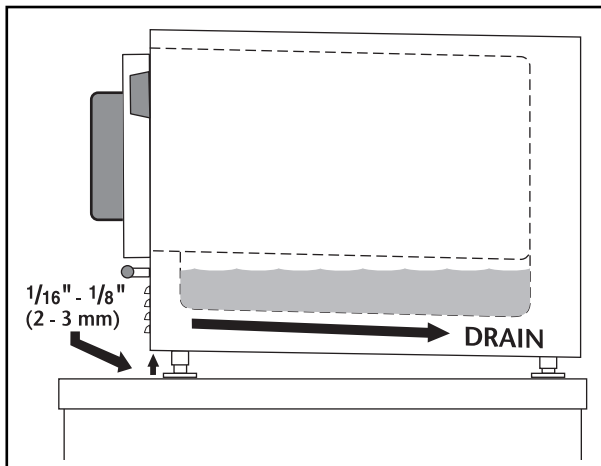


Figure 1: Leveling Steamer

ANCHORING STEAMER

1. Place steamer in the desired location on the countertop and mark four corners. Remove the steamer and drill $\frac{1}{2}$ " holes as indicated in Figure 2.
2. Apply a bead of RTV or other NSF approved sealant around the bottom edge of the steamer. If anchoring the steamer, this bottom seal is necessary to meet NSF requirements.
3. Set steamer on countertop and bolt down securely with $\frac{3}{8}$ " by 16" bolts (not supplied). Screw length should be tabletop thickness plus $\frac{1}{2}$ " for proper thread engagement.

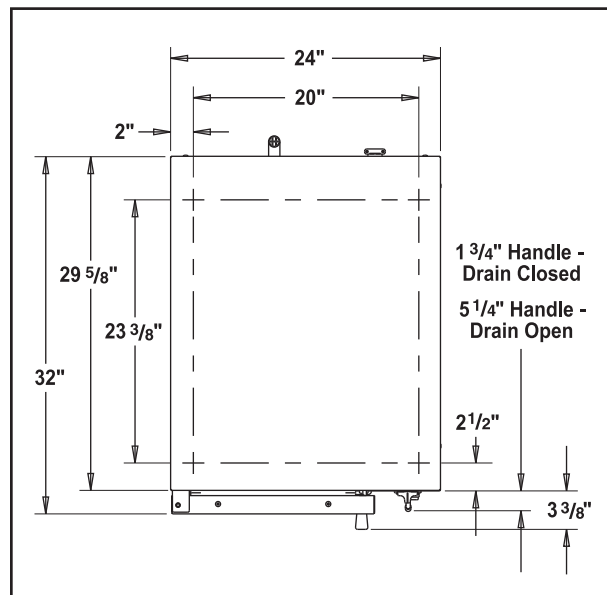


Figure 2: Anchoring Steamer

OPTIONAL ACCESSORIES

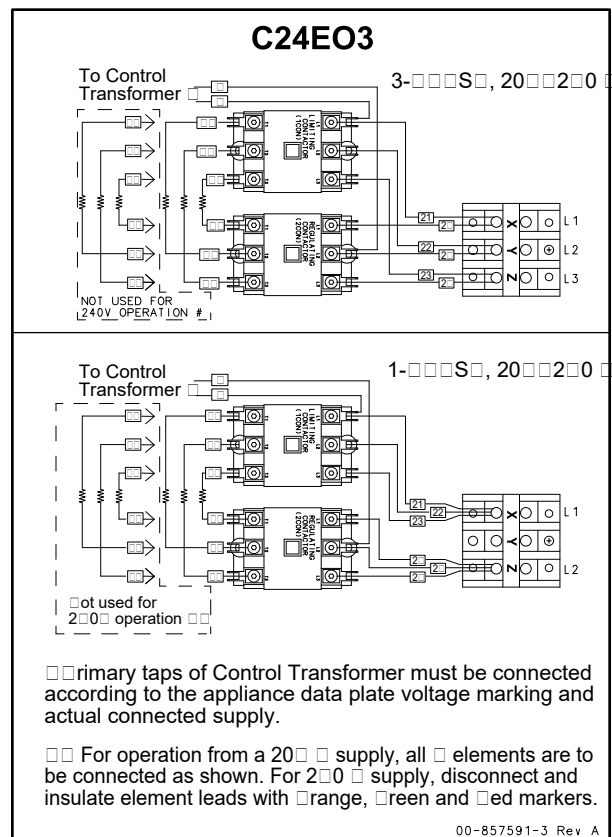
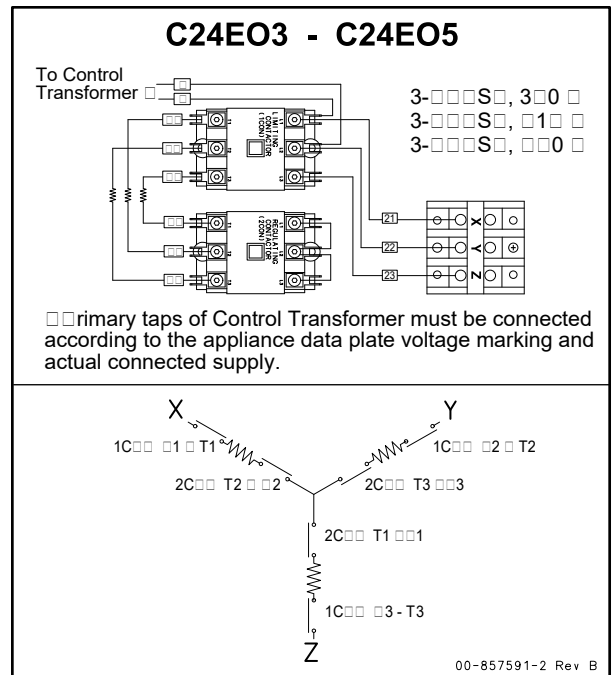
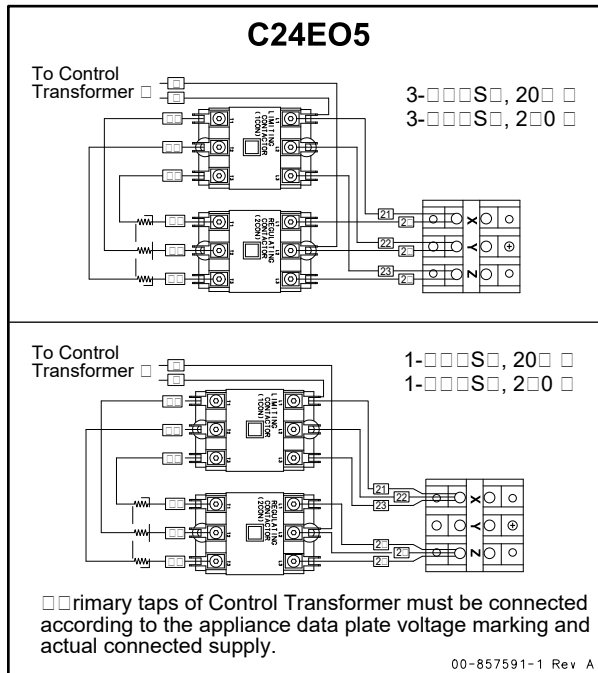
Optional accessories such as stands and stacking kit will include directions for assembly.

ELECTRICAL CONNECTIONS

⚠ WARNING: Electrical and grounding connections must comply with the applicable portions of the National Electrical Code and/or other local electrical codes.

When making electrical connections, use copper wire suitable for at least 200°F (90°C). The steamer must be grounded. The wiring diagram is located on the inside of the right panel.

Steamers are wired for 3-phase and can be converted to 1-phase by relocating the jumper wires on the terminal block as shown on the wiring diagram.



ELECTRICAL DATA

Model	Volts	KW	Amp @ 1PH	Amp @ 3 PH
C24EO3	208	8	38.5	22.2
	240	8	33.3	19.2
C24EO5	208	12	57.7	33.3
	240	12	50.0	28.9
	480	12	N/A	14.4

SERVICE CONNECTIONS

Water Connections (Manual Fill Units)

No water supply connections are required, as the steamer is filled manually.

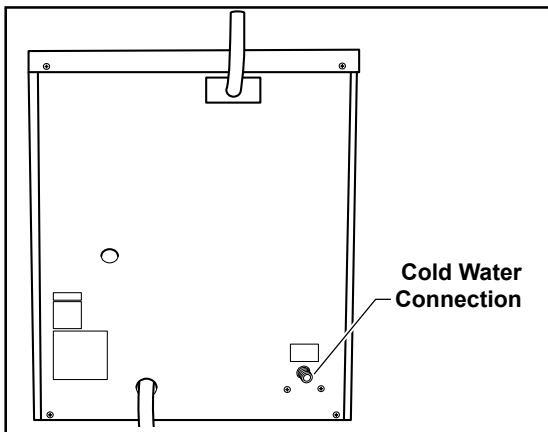
Water Connections (Auto-Fill Units)

NOTE: Auto-Fill steamers will refill automatically if the water level is low.

Connect the cold water supply line to the 3/4" (19 mm) (male hose thread) inlet.

A manual shutoff valve must be provided in a convenient location near the steamer.

The incoming water pressure must be 20 - 60 psig.



Water Requirements

Proper water quality can improve the taste of the food prepared in the steamer, reduce liming in the steam generator and extend equipment life. Water conditions vary from one location to another. Presence of iron content, amount of chloridation and dissolved gases could affect the taste. Adding a carbon block filter to the water inlet will improve taste.

Drain Connection

The C24EO can be configured to drain through either the rear panel or through the bottom base plate.

The unit is configured to be drained through the rear panel from the factory. The unit is supplied with a 12" length of 5/8" ID hose. If this length is insufficient, remove the hose and install a new hose ordered to the desired length. The factory 5/8" ID silicone hose part number is 557475. Hose is sold by the foot.

See Figure 3.

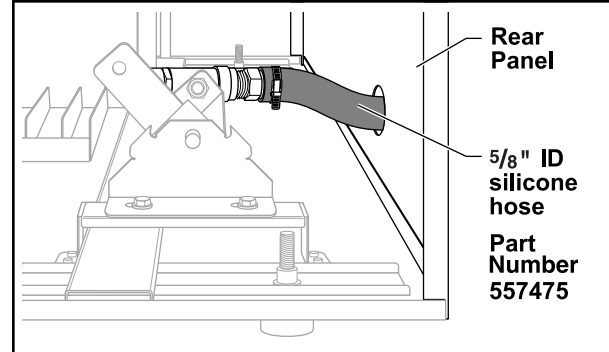
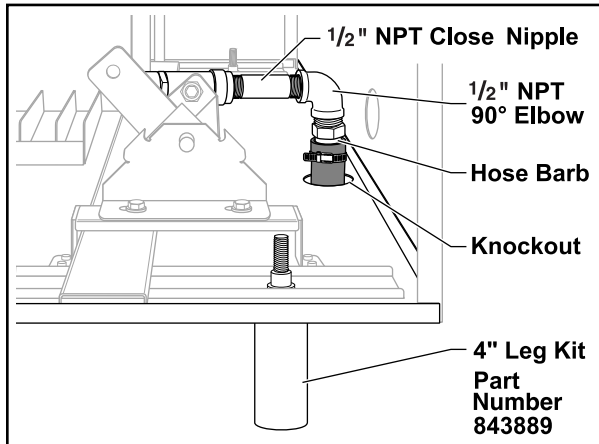


Figure 3: Rear Panel Drain Connection (Viewed with right side panel removed)

To field configure the drain through the bottom base plate, the 4" leg kit (part number 843889) is required. Also required are a 1/2" NPT close pipe nipple (1 1/8" long) and a 1/2" NPT 90° elbow, which are available through local home improvement or plumbing supply houses.

1. Remove right side panel.
2. Remove hose barb from drain.
3. Remove knockout from base plate.

4. Install the 1/2" NPT close nipple (1 1/8" long) into drain.
5. Install 1/2" NPT 90° elbow onto pipe nipple.
6. Re-use hose barb.
7. Install hose barb into elbow with clamp, cut to desired length or route to drain.



**Figure 4: Bottom Panel Drain Connection
(Viewed with right side panel removed)**

NOTICE Do not connect steamer drain solidly to any drain piping. The steamer drain must vent to the atmosphere to avoid creating a back pressure and possible back siphoning into the compartment.

VENT HOOD

Local codes may require the steamer to be located under an exhaust hood. Information on the construction and installation of ventilating hoods may be obtained from *Vapor Removal from Cooking Equipment*, NFPA Standard No. 96 (latest edition).

BEFORE FIRST USE

Thoroughly clean the steamer before using for the first time. See the CLEANING section in this manual.

INSTALLATION STARTUP PROCEDURE

⚠ WARNING: The steamer and its parts are hot. Use care when operating, cleaning or servicing the steamer. The cooking compartment contains live steam and hot water. Stay clear when opening the door.

Once the steamer is installed, thoroughly test the steamer before operation.

1. Check that the proper electrical connections have been made.

NOTE: On Auto-Fill model, verify that the water supply line has been connected properly. The incoming water pressure to the steamer needs to be 20 - 60 psig.

2. Close the drain valve by pushing the Drain Handle in, located in the lower right hand corner. On manual fill units, open the door and pour water into the cooking compartment up to the water level mark (the water level mark is visible on the back wall of the steamer). **Do not overfill.**

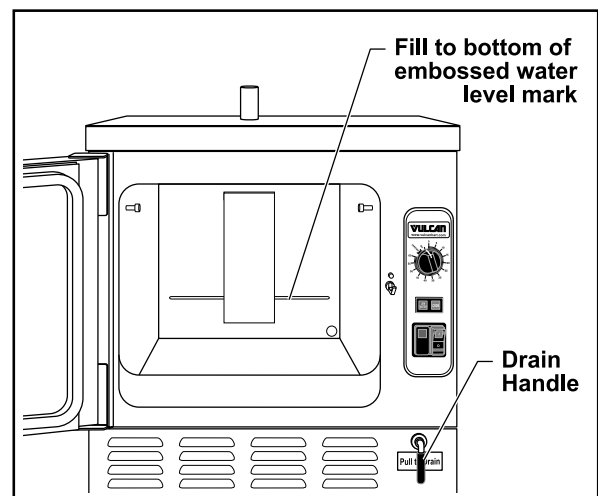




Figure 5: Water Level Mark (Manual Fill)

3. Rotate the Timer to CONTINUOUS position. Fully depress the Power Switch to the ON  position. The Power Switch will turn amber, indicating the unit is turned on.

4. With the door open, press in on the door switch (small rod), located above the door latch. The COOK light will come on. Release the door switch and the COOK light will turn off.
5. Close the compartment door and wait approximately 10 minutes for unit to preheat.
6. Rotate the Timer to 5 minutes. The Timer will not start counting down until the cavity has reached preheat temperature.
7. When the timer returns to 0, a buzzer will sound signaling the end of the cooking cycle. To silence the buzzer, turn the Timer dial to the OFF position.
8. To turn the steamer off:
 - a. Depress the Power Switch to the OFF  position.
 - b. Allow the steamer to cool.
 - c. Open the drain valve and drain the water from the steamer.
 - d. Open the compartment door to allow the inside to dry out.

ELEVATION (FT)	DIGITAL THERMOMETER - °F (C)
Sea Level	210 (99)
1,000	208 (98)
2,000	206 (97)
3,000	204 (96)
4,000	202 (94)
5,000	200 (93)
6,000	198 (93)
7,000	196 (91)
8,000	195 (90)
9,000 or above	194 (90)

1. Remove right side panel.
2. Place a temperature probe approximately one inch down in the center of steam vent pipe.
3. Turn steamer on by selecting CONTINUOUS mode.
4. Using the table above, find the corresponding temperature for the elevation and set the Temperature Control.

CALIBRATION PROCEDURE

The right hand side panel must be removed to access the temperature controller. To achieve optimum steamer operation, rotate the Temperature Control to the temperature that corresponds to the elevation that it is located at.

NOTE: The steamer is preset at the factory to sea level.

A handheld digital thermometer and thermocouple are required.

NOTE: If temperature setting is too high, the boiling action will be excessive and cause water droplets to exit the steam vent pipe resulting in high water usage.

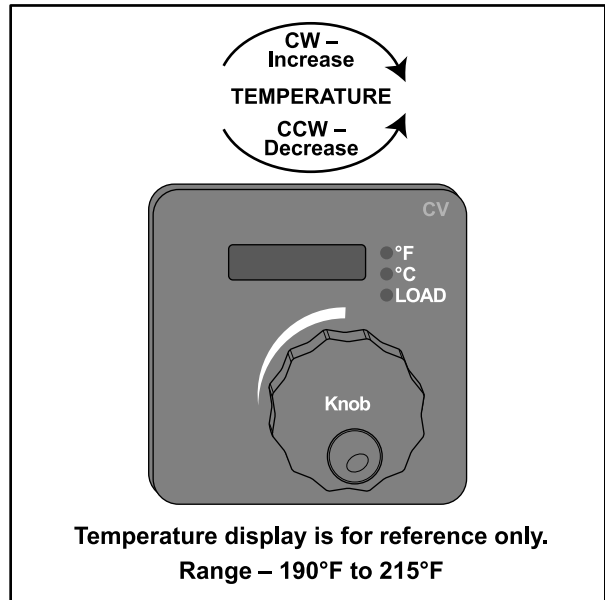


Figure 6: Temperature Control

NOTE: Temperature Control is configured by vendor to Fahrenheit and cannot be changed to Celsius. The display indicates set point temperature only.

- a. Wait 3 seconds after releasing the knob for the selection to be saved in memory. Display will blink momentarily to indicate temperature is saved.
- b. Allow temperature to stabilize by completing two heating cycles with door closed.

NOTE: Temperature display on control is for reference only. When calibrating, use the recorded temperature from meter.

5. Record temperature reading from meter when load light goes out.
6. Compare recorded temperature to the temperature from table.
 - a. If recorded temperature is correct, no adjustment is necessary.
 - b. If recorded temperature is not correct, adjust temperature setting and re-check the temperature reading with meter.

NOTE: If unit cannot be calibrated call your Authorized Vulcan Servicer.

7. If correct temperature reading is not attained after 3 attempts, call your Authorized Vulcan Servicer.

OPERATION

CONTROLS

⚠ WARNING: The steamer and its parts are hot. Use care when operating, cleaning or servicing the steamer. The cooking compartment contains live steam and hot water. Stay clear when opening the door.

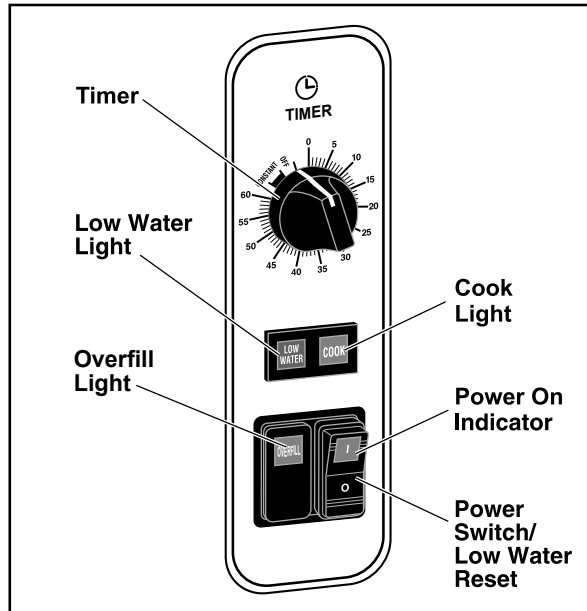


Figure 7: Controls

Power Switch/Low Water Reset: Turns unit OFF/ON/RESETS LOW WATER LIGHT/ALARM.

Low Water Light: When lit, indicates additional water is required.

Timer: Selects the desired cooking time or the CONTINUOUS position.


COOK Light: When lit, indicates the timer is set and door is closed.

OVERFILL Light: (Auto-Fill model only): When lit, indicates a problem with the Auto-Fill function (an audible alarm will sound in the event of an overfill condition).

OPERATING THE STEAMER



1. Push the drain lever in to close the drain valve.
2. Open the door and pour water into the cooking compartment up to the water level mark. The water level mark is visible on the back wall of the steamer. Unit capacity is 3 gallons. **Do not overfill.**
3. Close door.

NOTE: On Auto-Fill model, the unit will automatically fill with water once the start button is pressed. The steamer will fill until water reaches the water level probe located inside the cavity. If the door is closed, the steamer will heat the water during the initial fill cycle.

4. Verify Timer is in the OFF position.
5. Fully depress Power Switch to ON  position. Power light in switch will illuminate amber.
6. Set timer to 5 minutes. In approximately 15 minutes unit will be preheated and ready to cook.
7. Set timer to desired time (0 to 60 minutes) or to CONTINUOUS position.
8. At the end of the timed cycle an audible alarm will sound.
9. The unit returns to the idle temperature.


NOTE: Timer will not function until preheat has been completed.

LOW WATER


1. When the Low Water light is illuminated the unit needs to be refilled with water. An audible alarm will sound.
2. Fully depress Power Switch to OFF  position.
3. Refill unit with water.
4. Close door.
5. Fully depress Power Switch to ON  position to cancel Low Water alarm.
6. Timer will resume when steamer reaches cooking temperature.

NOTE: Refill the unit when not in use or during slow times to avoid running out of water. Running out of water during a cooking cycle will lengthen cook time. This comment does not apply to the Auto-Fill model. If the low water light is on, refer to the troubleshooting section.

SHUTDOWN

1. Rotate Timer to OFF position.
2. Fully depress Power Switch to OFF  position.
3. Allow steamer to cool.
4. Open the drain valve and drain the water from steamer.
5. Open the compartment door to allow the inside to dry.
6. Follow cleaning instructions in this manual.

EXTENDED SHUTDOWN

1. Fully depress Power Switch to OFF  position.
2. Clean the interior and exterior of unit.
3. Leave door open.
4. Disconnect power.

CLEANING

COOKING COMPARTMENT DRAIN

Remove any particles or debris that may be blocking the drain. Make a solution of warm water with non-chloride detergent and pour $\frac{1}{2}$ gallon (1.9 liters) of it down the compartment drain. Rinse by pouring $\frac{1}{2}$ gallon (1.9 liters) of hot water down the compartment drain.

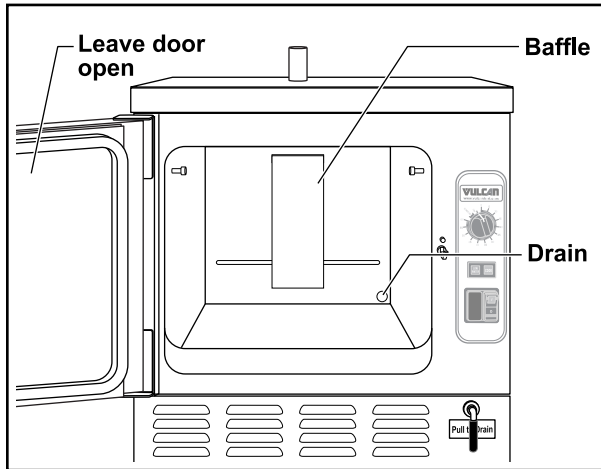


Figure 8: Oven Cavity

COMPARTMENT

The compartment, pan guides, and baffle should be cleaned daily. The exterior should be cleaned daily.

Remove the pan guides by lifting up and out. Wash with a solution of warm water with non-chloride detergent. Rinse with warm water.

Remove the baffle from the compartment by lifting up and out. Wash with a solution of warm water with non-chloride detergent. Rinse with warm water.

NOTE: Failure to reinstall baffle after cleaning will affect cooking performance.

Wash the inside of the compartment with a solution of warm water with non-chloride detergent. Rinse with warm water.

Thoroughly clean the exposed surfaces (sides, front, door and top) with a damp cloth and polish with a clean cloth daily. To remove discolorations, use a nonabrasive cleaner.

DOOR GASKET

Clean the gasket sealing surface of the compartment door daily to remove food acids for maximum gasket life. Do not use any solvents or sharp instruments. Wash with a cloth moistened in a solution of mild detergent and warm water. Rinse with a fresh cloth moistened with warm water to remove all traces of detergent.

Wipe dry with a clean cloth. Never apply food oils or petroleum lubricants directly to the door gasket. Petroleum-based solvents and lubricants will reduce gasket life.

LEAVE COMPARTMENT DOOR OPEN

Leave the compartment door slightly open when the steamer is not in use. When the compartment is idle, never latch the door and apply pressure to the door gasket. Leaving the gasket under pressure can cause permanent deformation and reduce gasket life.

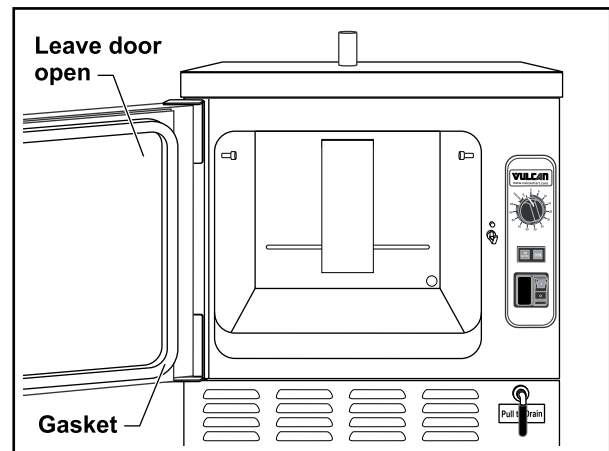


Figure 9: Leave Door Open

STAINLESS STEEL EQUIPMENT CARE AND CLEANING

Contrary to popular belief, stainless steels ARE susceptible to rusting.

Corrosion on metals is everywhere. It is recognized quickly on iron and steel as unsightly yellow/orange rust. Such metals are called “active” because they actively corrode in a natural environment when their atoms combine with oxygen to form rust.

Stainless steels are passive metals because they contain other metals, like chromium, nickel and manganese, that stabilize the atoms. 400 series stainless steels are called ferritic, contain chromium, and are magnetic; 300 series stainless steels are called austenitic, containing chromium and nickel; and 200 series stainless, also austenitic, contains manganese, nitrogen and carbon. Austenitic types of stainless are not magnetic, and generally provide greater resistance to corrosion than ferritic types.

With 12 to 30% chromium, an invisible passive film covers the steel’s surface acting as a shield against corrosion. As long as the film is intact and not broken or contaminated, the metal is passive and stainless. If the passive film of stainless steel has been broken, equipment starts to corrode and starts to rust.

Enemies of Stainless Steel

There are three basic things which can break down stainless steel’s passivity layer and allow corrosion to occur.

1. Mechanical abrasion.
2. Deposits and water.
3. Chlorides.

Mechanical abrasion means those things that will scratch a steel surface. Steel pads, wire brushes and scrapers are prime examples.

Water comes out of the faucet in varying degrees of hardness. Depending on what part of the country you live in, you may have hard or soft water. Hard water may leave spots, and when heated leaves deposits behind that if left to sit, will break down the passive layer and rust stainless steel. Other deposits from food preparation and service must be properly removed.

Chlorides are found nearly everywhere. They are in water, food and table salt. One of the worst chloride perpetrators can come from household and industrial cleaners.

**So what does all this mean?
Don’t despair!**

Here are a few steps that can help prevent stainless steel rust.

1. Use the proper tools.

When cleaning stainless steel products, use non-abrasive tools. Soft cloths and plastic scouring pads will not harm steel’s passive layer. Stainless steel pads also can be used but the scrubbing motion *must* be in the direction of the manufacturers’ polishing marks.

2. Clean with the polish lines.

Some stainless steel comes with visible polishing lines or grain. When visible lines are present, always scrub in a motion parallel to the lines. When the grain cannot be seen, play it safe and use a soft cloth or plastic scouring pad.

3. Use alkaline, alkaline chlorinated or non-chloride containing cleaners.

While many traditional cleaners are loaded with chlorides, the industry is providing an ever-increasing choice of non-chloride cleaners. If you are not sure of chloride content in the cleaner used, contact your cleaning supplier. If your present cleaner contains chlorides, ask your supplier if they have an alternative. Avoid cleaners containing quaternary salts; it also can attack stainless steel and cause pitting and rusting.

4. Treat your water.

Though this is not always practical, softening hard water can do much to reduce deposits. There are certain filters that can be installed to remove distasteful and corrosive elements. To insure proper water treatment, call a treatment specialist.

5. Keep your food equipment clean.

Use alkaline, alkaline chlorinated or non-chloride cleaners at recommended strength. Clean frequently to avoid build-up of hard stubborn stains. If you boil water in stainless steel equipment, remember the single most likely cause of damage is chlorides in the water. Heating cleaners that contain chlorides have a similar effect.

6. Rinse, rinse, rinse.

If chlorinated cleaners are used, rinse and wipe equipment and supplies dry immediately. The sooner you wipe off standing water, especially when it contains cleaning agents, the better. After wiping equipment down, allow it to air dry; oxygen helps maintain the stainless steel's passivity film.

7. Never use hydrochloric acid (muriatic acid) on stainless steel.

8. Regularly restore/passivate stainless steel.

Recommended cleaners for specific situations

Job	Cleaning Agent	Comments
Routine cleaning	Soap, ammonia, detergent, Medallion	Apply with cloth or sponge
Fingerprints & smears	Arcal 20, Lac-O-Nu Ecoshine	Provides barrier film
Stubborn stains & discoloration	Cameo, Talc, Zud, First Impression	Rub in direction of polish lines
Grease & fatty acids, blood, burnt-on-foods	Easy-off, De-Grease It Oven Aid	Excellent removal on all finishes
Grease & oil	Any good commercial detergent	Apply with sponge or cloth
Restoration/Passivation	Benefit, Super Sheen	

Review

1. Stainless steels rust when passivity (film-shield) breaks down as a result of scrapes, scratches, deposits and chlorides.
2. Stainless steel rust starts with pits and cracks.
3. Use the proper tools. Do not use steel pads, wire brushes or scrapers to clean stainless steel.
4. Use non-chlorinated cleaners at recommended concentrations. Use only chloride-free cleaners.
5. Soften your water. Use filters and softeners whenever possible.
6. Wipe off cleaning agent(s) and standing water as soon as possible. Prolonged contact causes eventual problems.

To learn more about chloride-stress corrosion and how to prevent it, contact the equipment manufacturer or cleaning material supplier.

Developed by Packer Engineering, Naperville, Ill., an independent testing laboratory.

MAINTENANCE

⚠ WARNING: The steamer and its parts are hot. Use care when operating, cleaning or servicing the steamer. The cooking compartment contains live steam and hot water. Stay clear when opening the door.

Steamer must be cleaned daily. See CLEANING section.

REMOVAL OF LIME SCALE DEPOSITS

⚠ WARNING: Read and follow the instructions on the deliming material package. Avoid contact with skin and eyes. Wear plastic or rubber gloves and safety goggles when handling. Wash thoroughly after handling. If deliming solution comes in contact with the skin or eyes, rinse thoroughly with clean water.

⚠ WARNING: The steamer and its parts are hot. Use care when operating, cleaning or servicing the steamer. The cooking compartment contains live steam and hot water. Stay clear when opening the door.

The steamer should be delimed when scale is present in the cavity well. Deliming may be required frequently depending on water quality and scale build up. This is in accordance with the minimum preventive maintenance schedule required by warranty.

Items required (not provided):



NOTE: White vinegar or Scale Release can be used to delime the steamer.

1. Deliming Solution – Scale Release™ Part Number 854893-13 (qty. 1).
 - Contact the local Authorized Vulcan Servicer or refer to website www.vulcanequipment.com

2. Plastic or rubber gloves.
3. Safety goggles or face shield.
4. Spray bottle.
5. 1-gallon container for mixing the deliming solution.

NOTE: Deliming solution may cause the surface of aluminum measuring tools to tarnish or etch.

Procedure:

1. Turn steamer off. Drain the steamer.
2. One bag will treat a C24EO3 or C24EO5 steamer.
 - 1 bag to 2 gallons warm water
3. Spray cavity walls with solution. Pour solution into cavity well.
 - Maximum steamer capacity 3 gallons
4. Fully depress Power Switch to ON  position and set Timer for 5 min. After timer sounds, rotate Timer dial to OFF position and fully depress Power Switch to OFF  position.
5. Let delime solution soak for a minimum of 30 minutes, maximum 60 minutes. If scale is still present, repeat steps 1 through 5.
6. Drain the steamer and rinse thoroughly with warm clean water.
7. Dry with a clean dry cloth.
8. Leave steamer door open when not in use.

DOOR GASKET

If the door gasket is leaking due to a nick or cut, it must be replaced. Damage to the gasket sealing surface will cause steam leakage.

COOKING HINTS

The steamer efficiently cooks vegetables and other foods for immediate serving. Steam cooking should be carefully time controlled. Keep hot food holding-time to a minimum to produce the most appetizing results. Prepare small batches. Cook only enough to start serving, then cook additional amounts to meet demand.

ACCEPTABLE PAN SIZES

The steamer accommodates combinations of full, half and one-third size pans, solid or perforated.

Model	Number of Pans Accommodated			
	Depth of Pan			
	1"	2½"	4"	6"
C24EO3	6	3	2	1
C24EO5	10	5	3	2

COOKING GUIDELINES

The steamer cooks vegetables, frankfurters, eggs in their shells, and certain other meats or food items at atmospheric pressure.

These cooking guidelines are suggestions only. You should experiment with your food products to determine the cooking times that will give you the best results. Variables which affect cooking time include size, weight, thickness of foods, temperature, density, previous condition of the foods (fresh, pre-blanched or frozen) and degree of doneness desired.

PREPARATION

Prepare vegetables, fruits, meats, seafood and poultry normally by cleaning, separating, cutting, removing stems, etc. Cook root vegetables in a perforated pan. Other vegetables may be cooked in a perforated pan unless juices are being saved. Liquids can be collected in a solid 12" x 20" pan placed under a perforated pan.

Perforated pans are used for frankfurters, wieners and similar items when juices do not need to be preserved. Solid pans are good for cooking puddings, rice, and hot breakfast cereals. Vegetables and fruits are cooked in solid pans in their own juice. Meats and poultry are cooked in solid pans to preserve their juice or retain broth.

Canned foods can be heated in their opened cans (cans placed in 12" x 20" solid pans) or the contents may be poured into solid pans. DO NOT place unopened cans in the steamer.

Frozen Food Items

Separate frozen foods into smaller pieces to allow more efficient cooking.

Use a pan cover for precooked frozen dishes that cannot be cooked in the covered containers in which they are packed if they require more than 15 minutes of cooking time. When a cover is used, approximately one-third additional cooking time is necessary.

Cooking time for frozen foods depends on the amount of defrosting required. If time permits, allow frozen foods to partially thaw overnight in a refrigerator. This will reduce their cooking time.

PRODUCTS TO BE COOKED IN SOLID PANS

PRODUCT	TIME (MINUTES)	WEIGHT PER PAN
Eggs, Scrambled	9 to 12	8 doz.
Rice, Long Grain (Cover with 4 cups water/lb.)	23 to 25	2 lbs.
Pasta (Place perforated pan inside solid pan, cover with cold water)		
Spaghetti – Regular/Vermicelli	10 to 15	
Macaroni - Shells/Elbows	13 to 18	
Noodles - 1/2" Wide	10 to 15	
Lasagna Noodles	13 to 18	
Frozen Casseroles, Lasagna	33 to 35	Full Pan
Meat Loaf, 3-5 Lb. Each	38 to 40	15 lbs.
Beef		
Ground Chuck	19 to 25	10 lbs.
Sliced as Purchased	33 to 40	10 lbs.
Shrimp, Frozen, 10 Shrimp per Lb.	4 to 5	4 lbs.
Beans		
Baked	8 to 9	10 lb. Can
Refried	8 to 9	10 lb. Can
Canned Vegetables	5 to 6	10 lb. Can
Prunes, Dried	11 to 15	

PRODUCTS TO BE COOKED IN PERFORATED PANS

PRODUCT	TIME (MINUTES)	WEIGHT PER PAN
SEAFOOD		
Clams		
Frozen	9 to 12	3 doz.
Fresh, Cherrystone	4 to 6	3 doz.
King Crab, Frozen		
Claws	3 to 4	2½ lbs.
Legs	3 to 6	4½ lbs.
Lobster Tail, Frozen	5 to 6	10 lbs.
Lobster, Live, 10" - 12"	4 to 5	4 Per Pan
Salmon Fillets, Frozen, 8 ounce each	4 to 5	7½ lbs.
Scallops, Fresh	3 to 4	3 lbs.
Scrod Fillets, Fresh	3 to 5	4 lbs.
EGGS		
Hard Cooked	14 to 15	4 doz.
Soft Cooked	8 to 10	4 doz.
Soft Yoke for Caesar Salad	5 to 8	4 doz.
MEATS		
Chicken — Breasts, Legs, Thighs	19 to 20	15 lbs.
Turkey, Frozen		
Breasts (2)	86 to 90	6 to 7 lbs. Each
Cut Lengthwise	53 to 55	20 to 25 lbs.
Corned Beef	40 to 75	6 to 8 lbs.
Hot Dogs and Wieners	2 to 3	80 to 100 Count
VEGETABLES		
Asparagus Spears		
Frozen	10 to 12	3 lbs.
Fresh	4 to 5	5 lbs.
Beans		
Green 2" Cut, Frozen/Fresh	5 to 6	5 lbs.
Lima, Frozen	7 to 8	5 lbs.
Baby Lima, Frozen	4 to 5	5 lbs.
Brussel Sprouts, Frozen	5 to 6	5 lbs.

PRODUCT	TIME (MINUTES)	WEIGHT PER PAN
VEGETABLES (Cont'd.)		
Broccoli		
Spears, Frozen	6 to 8	4 lbs.
Spears, Fresh	4 to 6	5 lbs.
Flowerettes, Frozen	4 to 6	5 lbs.
Cabbage, Fresh, 1/6 Cut	6 to 8	5 lbs.
Carrots		
Baby Whole, Frozen	6 to 8	7 lbs.
Crinkle Cut, Frozen	7 to 8	4 lbs.
Sliced, Fresh	9 to 11	9 lbs.
Cauliflower, Flowerettes		
Frozen	4 to 6	4 lbs.
Fresh	7 to 8	5 lbs.
Celery, 1" Diagonal Cut	5 to 7	5 lbs.
Corn		
Yellow Whole Kernel, Frozen	3 to 5	5 lbs.
Cobbettes, Frozen	6 to 8	27 Ears
Corn-On-Cob, Fresh	16 to 18	80 Ears
	16 to 18	54 Ears
	10 to 12	18 Ears
Peas, Green	4 to 6	5 lbs.
Potatoes, Whole Russet	50 to 55	40 lbs.
Spinach		
Chopped, Frozen	15 to 17	6 lbs.
Defrosted	4 to 5	6 lbs.
Fresh Cut	2 to 3	2 lbs.
Squash, Acorn Halves	22 to 25	10 Halves
Zucchini, Slices	6 to 8	10 lbs.
Frozen Mixed Vegetables	6 to 7	5 lbs.
FRUIT		
Fruit, Blanch for Peeling		
Grapefruit, Oranges	2 to 3	
Pineapple, Whole for Cutting	2 to 4	

TROUBLESHOOTING

SYMPTOMS	POSSIBLE CAUSES	REMEDY
Steamer not steaming	No main power source. Door is open. Power switch in OFF position. Timer is off. Needs water.	Check the power source. Close door. Set power switch to ON. Set Timer. Add water.
Steamer not steaming properly	Excessive scale buildup in the cavity well. Not connected to correct voltage.	Descale the steamer (see REMOVAL OF LIME SCALE DEPOSITS). If voltage is not correct, contact your Authorized Vulcan Servicer.
Door leaks	Damaged door gasket. Damage to gasket sealing surface. Blocked or obstructed steam vent.	Check door gasket for damage. If adjustment is needed, contact your Authorized Vulcan Servicer. Clear steam vent.
Water does not drain properly	Unit not level. Drain clogged.	See leveling instructions in the installation section of this manual. Unclog drain.
Water foaming	Cooking seafood without catch pan.	Use a catch pan. Drain and replace water.
Low water light (Auto-Fill model)	Dirty probes. Scale on the probes. The water supply line is not connected. The water valve is not turned on.	Verify the probes are clean. Delime the steamer. Connect the water supply line. Turn the water valve on.
Steamer is overfilling (Auto-Fill model)	Scale build up on the probes. High water pressure. Excessive foaming.	Clean the probes. Verify the water pressure is 20 - 60 psig. Drain the steamer, refill and add a catch pan.

SERVICE AND PARTS INFORMATION

To obtain service and parts information concerning this model, contact the Authorized Vulcan Servicer in your area. Refer to our website, www.vulcanequipment.com for a complete listing of Authorized Service and Parts depots.

When calling for service, the following information (located on your machine data plate) must be available:

Model Number

Serial Number

Manufacture Date (MD)

Voltage

Tension

Date de fabrication (MD)

Numéro de série

Numéro de modèle

Pour obtenir des renseignements sur l'entretien et les pièces relatifs à ce modèle, communiquez avec le préposé à l'entretien Vulcan agréé de votre région. Reportez-vous à notre site Web, www.vulcanequipment.com pour obtenir une liste complète des services autorisés et des dépôts de pièces. Lorsque vous appelez pour un service, les renseignements suivants (qui se trouvent sur la plaque signalétique de votre machine) doivent être disponibles :

RENSEIGNEMENTS SUR L'ENTRETIEN ET LES PIÈCES

DÉPANNAGE

SYMPTÔMES	CAUSES POSSIBLES	ACTIONS CORRECTIVES
Le cuiseur à vapeur ne cuit pas à la vapeur	Aucune source d'alimentation principale. La porte est ouverte.	Vérifiez la source d'alimentation. Fermez la porte.
Le cuiseur à vapeur ne cuit pas à la vapeur correctement à la vapeur	Accumulation excessive de tartre dans la paroi de la cavité. Pas branché à la tension appropriée.	Déterminez le cuiseur à vapeur (reportez-vous à la section RETRAIT DES DÉPÔTS CALCAIRES). Si la tension n'est pas appropriée, communiquez avec votre préposé à l'entretien Vulcan agréé.
Fuites au niveau de la porte	Joint d'étanchéité de la porte endommagé. Dommages à la surface d'étanchéité du joint. Événement à vapeur bouché ou obstrué.	Vérifiez le joint d'étanchéité de la porte pour détecter des dommages éventuels. Si un réglage est nécessaire, communiquez avec le préposé à l'entretien Vulcan agréé. Nettoyez l'évent à vapeur.
L'eau ne s'écoule pas correctement	L'unité n'est pas de niveau. Vidange bouchée.	Reportez-vous aux instructions de mise à niveau dans la section relative à l'installation du présent manuel. Débouchez la vidange.
Mousse sur l'eau	Cuison de fruits de mer sans cuvette.	Utilisez une cuvette. Vidangez et remplacez l'eau.
Voyant d'eau bas (modèle de remplissage automatique)	Tartre sur les sondes. Le tuyau d'alimentation en eau n'est pas raccordé.	Déterminez le cuiseur à vapeur. Raccordez le tuyau d'alimentation en eau.
Le cuiseur à vapeur se remplit excessivement (modèle de remplissage automatique)	Accumulation de tartre sur les sondes. Le robinet d'eau n'est pas ouvert.	Nettoyez les sondes. Ouvrez le robinet d'eau.
Pression d'eau élevée.	Mousse excessive.	Accumulation de tartre sur les sondes. Nettoyez les sondes.
Vérifiez que la pression d'eau est de 20 – 60 lb/po2.		Vidangez le cuiseur à vapeur, remplissez-le à nouveau et ajoutez une cuvette.

ALIMENT	TEMPS (MINUTES)	POIDS PAR PLATEAU
LÉGUMES (suite.)		
Brocoli	6 à 8	4 lb.
Turions congelés	6 à 8	4 lb.
Turions frais	4 à 6	5 lb.
Bouquets congelés	4 à 6	5 lb.
Chou frais, coupe de 1/6	6 à 8	5 lb.
Carottes	6 à 8	7 lb.
Mini-carottes entières congelées	6 à 8	7 lb.
Coupe ondulée congelée	7 à 8	4 lb.
Tranchées, fraîches	9 à 11	9 lb.
Choux-fleurs, bouquets congelés	4 à 6	4 lb.
Frais	7 à 8	5 lb.
Céleri, coupe diagonale de 1 po	5 à 7	5 lb.
Mais	3 à 5	5 lb.
Graine entière jaune congelée	6 à 8	5 lb.
Morceaux d'épis congelés	6 à 8	27 épis
Mais en épis frais	16 à 18	80 épis
	16 à 18	54 épis
	10 à 12	18 épis
Pois verts	4 à 6	5 lb.
Pommes de terre, reinette entière	50 à 55	40 lb.
Épinards	15 à 17	6 lb.
Hachés, congelés	4 à 5	6 lb.
Décongelés	2 à 3	2 lb.
Frais coupés	22 à 25	10 moitiés
Demi-courges, demi-glands	6 à 8	10 lb.
Courgette Zucchini en tranches	6 à 7	5 lb.
FRUITS		
Fruits, blanchir pour éplucher	2 à 3	
Pamplemousses, oranges	2 à 4	
Ananas, entier pour découper		

ALIMENTS À CUIRE DANS DES PLATEAUX PERFORÉS

ALIMENT	TEMPS (MINUTES)	POIDS PAR PLATEAU
FRUITS DE MER		
Praïres congelées	9 à 12	3 douzaines.
Palourde américaine fraîche	4 à 6	3 douzaines.
Crabe royal congelé	3 à 4	2 1/2 lb.
Pattes	3 à 6	4 1/2 lb.
Queue de homard congelée	5 à 6	10 lb.
Homard vivant de 10 po à 12 po	4 à 5	4 par plateau
Filets de saumon congelés, 8 onces chacun	4 à 5	7 1/2 lb.
Pêtoncles frais	3 à 4	3 lb.
Filets d'églefin frais	3 à 5	4 lb.
ŒUFS		
Œuf dur	14 à 15	4 douzaines.
Œuf à la coque	8 à 10	4 douzaines.
Texture souple pour salade César	5 à 8	4 douzaines.
VIANDES		
Poulet – poitrines, jambes, cuisses	19 à 20	15 lb.
Dinde congelée	86 à 90	6 à 7 lb. Chaque
Poitrines (2)	53 à 55	20 à 25 lb.
Bœuf salé	40 à 75	6 à 8 lb.
Hot-dogs et saucisses	2 à 3	80 à 100 moules
LÉGUMES		
Turion d'asperge congelés	10 à 12	3 lb.
Frais	4 à 5	5 lb.
Haricots verts, coupe de 2 po, congelés/frais	5 à 6	5 lb.
Lima congelé	7 à 8	5 lb.
Mini-Lima congelé	4 à 5	5 lb.
Choux de Bruxelles congelés	5 à 6	5 lb.

ALIMENTS À CUIRE DANS DES PLATEAUX SOLIDES

ALIMENT	TEMPS (MINUTES)	POIDS PAR PLATEAU
Ceufs brouillés	9 à 12	8 douzaines.
Riz long grain (couvrez avec 4 tasses d'eau/lb.)	23 à 25	2 lb.
Pâtes alimentaires (placez le plateau perforé à l'intérieur du plateau solide, couvrez avec de l'eau froide)	10 à 15	
Spaghetti – Regular/Vermicelli	13 à 18	
Macaroni – Shells/Elbows	10 à 15	
Nouilles – 1/2 po de large	13 à 18	
Nouilles Lasagnes	33 à 35	Plateau entier
Cocottes gelées, lasagnes	38 à 40	15 lb.
Pain de viande, 3-5 lb chaque	19 à 25	
Viande de bœuf	33 à 40	10 lb.
Viande de bœuf hachée	4 à 5	10 lb.
Crevettes congelées, 10 crevettes par lb.	8 à 9	4 lb.
Haricots	8 à 9	
Cuit au four	8 à 9	Boîte de conserve de 10 lb
Haricots frits	8 à 9	Boîte de conserve de 10 lb
Conserves de légumes	5 à 6	Boîte de conserve de 10 lb
Pruneaux séchés	11 à 15	

SUGGESTIONS RELATIVES À LA CUISSON

PRÉPARATION

Préparez normalement les légumes, les fruits, les viandes, les fruits de mer et les volailles en nettoyant, en séparant, en découpant et en retirant les tiges, etc. Préparez les légumes-racines dans un plateau perforé. Vous pouvez faire cuire d'autres légumes dans un plateau perforé si vous voulez en récupérer le jus. Les liquides peuvent être collectés dans un plateau solide de 12 po x 20 po, placé sous un plateau perforé.

Les plateaux perforés sont utilisés pour les saucisses de Francfort, les saucisses et les aliments similaires, lorsque le jus n'a pas besoin d'être préservé. Les plateaux solides sont appropriés pour la cuisson des puddings, du riz et des céréales chaudes pour le petit-déjeuner. Les légumes et les fruits cuisent dans des plateaux solides, dans leur propre jus. Les viandes et les volailles cuisent dans des plateaux solides pour préserver leur jus ou pour recueillir le bouillon.

Les aliments en conserve peuvent être chauffés dans leurs boîtes ouvertes (boîtes placées dans les plateaux solides de 12 po x 20 po) ou le contenu peut être versé dans les plateaux solides. NE placez PAS des boîtes fermées dans le cuisinier à vapeur.

Aliments congelés

Séparez les aliments congelés en plus petits morceaux pour obtenir une cuisson plus efficace.

Utilisez un couvercle du plateau pour les plats surgelés précuits qui ne peuvent pas être cuits dans les contenants couverts dans lesquels ils sont emballés, s'ils nécessitent plus de 15 minutes de temps de cuisson. Lorsqu'un couvercle est utilisé, environ un tiers de temps de cuisson supplémentaire est nécessaire.

Le temps de cuisson des aliments congelés dépend de la quantité de dégivrage nécessaire. Si le temps le permet, laissez les aliments congelés se dégivrer partiellement toute la nuit dans un réfrigérateur. Cela permet de réduire leur temps de cuisson.

Le cuisinier à vapeur cuit efficacement les légumes

et autres aliments à servir immédiatement. La durée de la cuisson à vapeur doit être scrupuleusement contrôlée. Gardez le temps de maintien de la chaleur des aliments au minimum, pour obtenir des résultats les plus appétissants. Préparez par petites quantités. Préparez juste assez pour commencer à servir, puis préparez des quantités supplémentaires pour répondre à la demande.

TAILLES DE PLATEAU ACCEPTABLES

Le cuisinier à vapeur prend en charge les combinaisons de plateaux entiers, de demi-plateaux et de tiers de plateaux, solides ou perforés.

Modèle	Nombre de plateaux pris en charge			Profondeur de plateaux		
C24EO3	6	3	2	1 po	2 1/2 po	4 po
C24EO5	10	5	3	1 po	2 1/2 po	4 po

LIGNES DIRECTRICES RELATIVES À LA CUISSON

Le cuisinier à vapeur cuit des légumes, des saucisses de Francfort, des œufs dans leurs coquilles et certaines autres viandes ou produits alimentaires à la pression atmosphérique.



Ces lignes directrices relatives à la cuisson ne sont que des suggestions. Vous devez tester vos produits alimentaires afin de déterminer le temps de cuisson qui vous donnera les meilleurs résultats. Les variables qui affectent le temps de cuisson sont notamment les dimensions, le poids, l'épaisseur des aliments, la température, la densité, l'état antérieur des aliments (frais, préblanchis ou congelés) et le degré de cuisson voulu.

ENTRETIEN

- Gants en plastique ou en caoutchouc.
 - Lunettes de sécurité ou masque protecteur.
 - Fiacon pulvérisateur.
 - Récipient d'un gallon pour mélanger la solution de déchausage.
- REMARQUE:** La solution de déchausage peut entraîner le ternissement ou la corrosion de la surface des outils de mesure en aluminium.

Procédure :

- Arrêtez le cuiseur à vapeur. Vidangez le cuiseur à vapeur.
- Un sac peut traiter un cuiseur à vapeur C24EO3 ou C24EO5.
- 1 sac dans 2 gallons d'eau tiède
- Pulvériser la solution sur les parois de la cavité. Versez la solution dans la paroi de la cavité.
- Capacité maximale du cuiseur à vapeur : 3 gallons

- Appuyez le commutateur d'alimentation à fond à la position ON (MARCHE)  et réglez la minuterie sur 5 min. Après la sonnerie de la minuterie, tournez le cadran de réglage de minuterie à la position OFF (ARRÊT) et appuyez le commutateur d'alimentation à fond à la position OFF (ARRÊT) .
- Laissez la solution de détartrage tremper pendant un minimum de 30 minutes et un maximum de 60 minutes. Si le tartre est toujours présent, répétez les étapes 1 à 5.
- Vidangez le cuiseur à vapeur et rincez soigneusement à l'eau tiède.
- Essayez avec un chiffon propre.
- Laissez la porte du cuiseur à vapeur ouverte lorsque vous ne l'utilisez pas.

JOINT D'ÉTANCHÉITÉ DE LA PORTE

Si le joint d'étanchéité de la porte présente une fuite due à une entaille ou coupure, il doit être remplacé. Les dommages à la surface d'étanchéité du joint causent des fuites de vapeur.

Le cuiseur à vapeur doit être nettoyé quotidiennement. Reportez-vous à la section NETTOYAGE.

RETRAIT DES DÉPÔTS CALCAIRES

AVERTISSEMENT : Lisez et suivez les

instructions sur l'emballage du matériel de déchausage. Évitez tout contact avec la peau et les yeux. Portez des gants en plastique ou en caoutchouc et des lunettes de protection lors de la manipulation.

Lavez-vous soigneusement les mains après la manipulation. Si la solution de déchausage entre en contact avec la peau ou les yeux, rincez-les abondamment avec de l'eau propre.

AVERTISSEMENT : Le cuiseur à vapeur

et ses pièces sont chauds. Faites attention lorsque vous utilisez, nettoyez ou entreprenez le cuiseur à vapeur. Le compartiment de cuisson contient de la vapeur vive et de l'eau chaude. Éloignez-vous lorsque vous ouvrez la porte.

Le cuiseur à vapeur doit être déchaulé lorsque le tartre est présent dans la paroi de la cavité. Le déchausage peut être requis fréquemment selon la qualité de l'eau et l'accumulation du tartre. Cette opération est conforme au programme d'entretien préventif minimal requis par la garantie.

Éléments requis (non fournis) :

REMARQUE: Du vinaigre blanc ou du détartrant peuvent être utilisés pour détartrer le cuiseur à vapeur.

- Solution de déchausage – Scale

Release™, numéro de pièce 854893-13 (quantité 1).

• Communiquez le préposé à l'entretien Vulcan agréé ou reportez-vous sur le site Web www.vulcanequipment.com

actuel contient des chlorures, demandez à votre fournisseur s'il a un produit alternatif. Évitez les agents nettoyants contenant des sels quaternaires; ils peuvent aussi attaquer l'acier inoxydable et entraîner l'apparition des piqûres et de la corrosion.

4. Traiter votre eau.

Même si ce n'est pas toujours pratique, l'adoucissement d'une eau dure peut contribuer de façon significative à réduire les dépôts. Certains filtres peuvent être installés pour retirer les éléments déplaçants et corrosifs. Pour assurer un bon traitement de l'eau, communiquez avec un spécialiste du traitement.

5. Conserver votre équipement alimentaire dans un état propre.

Utilisez des agents nettoyants alcalins, alcalins chlorés ou sans chlorures à la quantité recommandée. Nettoyez fréquemment pour éviter l'accumulation de tâches tenaces fermes. Si vous faites bouillir de l'eau dans un équipement en acier inoxydable, n'oubliez pas que la seule cause la plus probable de dommages est la présence de chlorures dans l'eau. Le chauffage d'agents nettoyants qui contiennent des chlorures donne un effet similaire.

6. Rincer, rincer, rincer.

Si des agents nettoyants chlorés sont utilisés, rincez et essuyez immédiatement l'équipement et les fournitures. Plus tôt vous essuyez l'eau stagnante, surtout lorsqu'elle contient des agents de nettoyage, mieux ça vaut. Après avoir essuyé l'équipement, laissez-le sécher à l'air; l'oxygène contribue à maintenir le film de passivité de l'acier inoxydable.

7. Ne jamais utiliser l'acide chlorhydrique (acide muriatique) sur l'acier inoxydable.
8. Restaurer ou passer régulièrement l'acier inoxydable.

Agents nettoyants recommandés pour des situations spécifiques

Agent de nettoyage	Commentaires
Nettoyage de routine	Savon, ammoniac, aide d'un chiffon ou d'une éponge
Empreintes digitales et	Arcal 20, Lac-O-Nu
Tâches de décoloration	Cameo, Talc, Zud, First Impression
Graisse et acides gras, sang, aliments brûlés	Easy-off, De-Grease It Oven Aid
Graisse et huile	Tout bon détergent commercial
Restauration/Passivation	Benefit, Super Sheen

Révision

1. Les aciers inoxydables rouillent lorsque la passivité (film de protection) se décompose à la suite d'éraflures, de rayures, de dépôts et de présence de chlorures.
 2. La rouille de l'acier inoxydable commence par des piqûres et des fissures.
 3. Utilisez des outils appropriés. N'utilisez pas de plaquettes en acier, de brosses métalliques ou de racloirs pour nettoyer l'acier inoxydable.
 4. Utilisez des agents nettoyants non chlorés aux concentrations recommandées. Utilisez seulement des agents nettoyants sans chlorures.
 5. Adoucissez votre eau. Utilisez des filtres et des adoucisseurs chaque fois que possible.
 6. Essuyez les agents nettoyants et l'eau stagnante dès que possible. Un contact prolongé peut causer des problèmes.
- Pour obtenir plus de renseignements sur la corrosion sous contrainte due aux chlorures et la façon d'éviter ce problème, communiquez avec le fabricant de l'équipement ou le fournisseur du matériel de nettoyage.

Développé par Packer Engineering, Naperville, Ill., un laboratoire d'essai indépendant.

ENTRETIEN ET NETTOYAGE DE L'ÉQUIPEMENT EN ACIER INOXYDABLE

Contrairement à la croyance populaire, les aciers inoxydables SONT sujets à la rouille.

La corrosion des métaux est répandue. Elle se reconnaît rapidement sur le fer et l'acier sous forme de taches de rouille disgracieuses jaunes ou orange. De tels métaux sont dits « actifs » parce qu'ils se corrodent activement dans un environnement naturel, lorsque leurs atomes combinent avec l'oxygène pour former la rouille.

Les aciers inoxydables sont des métaux « passifs », car ils contiennent d'autres métaux tels que le chrome, le nickel et le manganèse, qui stabilisent les atomes. Les aciers inoxydables de série 400 sont appelés ferritiques, contiennent du chrome et sont magnétiques; les aciers inoxydables de série 300 sont appelés austénitiques et contiennent du chrome et du nickel et les aciers inoxydables de série 200 sont également austénitiques et contiennent du manganèse, de l'azote et du carbone. Les aciers inoxydables de type austénitique ne sont pas magnétiques et fournissent généralement une plus grande résistance à la corrosion que ceux de type ferritique.

Avec 12 à 30 % de chrome, un film passif invisible recouvre la surface de l'acier agissant en tant que bouclier contre la corrosion. Tant que le film est intact et n'est pas cassé ou contaminé, le métal est passif et inoxydable. Si le film passif de l'acier inoxydable a été cassé, l'équipement commence à se corroder et à rouiller.

Ennemis de l'acier inoxydable

Il y a trois choses fondamentales qui peuvent briser la couche passive de l'acier inoxydable et faciliter la corrosion.

1. Abrasion mécanique.
2. Dépôts et eau.
3. Chlorures.

L'abrasion mécanique fait allusion à toutes ces choses qui peuvent rayer la surface de l'acier. Plaquettes en acier, brosses métalliques et racloirs sont des exemples parfaits.

L'eau sort du robinet avec divers degrés de dureté. Selon la région du pays où vous vivez, vous pouvez avoir de l'eau dure ou de l'eau douce. L'eau dure peut laisser des taches et lorsqu'elles sont chauffées, laissent des dépôts qui peuvent briser la couche passive et rouiller l'acier inoxydable, s'ils ne sont pas éliminés. D'autres dépôts qui résultent de la préparation de la nourriture et de l'entretien doivent être correctement éliminés.

Les chlorures sont présents presque partout dans le monde. Ils sont dans l'eau, dans la nourriture et dans le sel de table. L'une des sources de chlorure le plus dangereux provient des agents nettoyants domestiques et industriels.

Alors, que signifie tout cela? Ne désespérez pas!

Voici quelques conseils qui peuvent aider à empêcher la rouille de l'acier inoxydable.

1. Utiliser des outils appropriés.

Lorsque vous nettoyez des produits en acier inoxydable, utilisez des outils non abrasifs. Les chiffons doux et les tampons à récurer en plastique ne nuisent pas à la couche passive de l'acier. Les plaquettes en acier inoxydable peuvent également être utilisées, mais le mouvement de récurage *doit* se produire dans le sens des marques de polissage des fabricants.

2. Nettoyer conformément aux lignes de polissage.

Certains aciers inoxydables sont livrés avec des lignes ou des grains de polissage visibles. Lorsque les lignes visibles sont présentes, frottez toujours dans un mouvement parallèle aux lignes. Lorsque les grains ne sont pas visibles, privilégiez la sécurité et utilisez un chiffon doux ou un tampon à récurer en plastique.

3. Utiliser des agents nettoyants alcalins, alcalins chlorés ou sans chlorures.

Alors que de nombreux agents nettoyants traditionnels sont chargés de chlorures, l'industrie fournit un choix grandissant d'agents nettoyants sans chlorure. Si vous n'êtes pas sûr du contenu en chlorures de l'agent nettoyant utilisé, communiquez avec votre fournisseur d'agent nettoyant. Si votre agent nettoyant

NETTOYAGE

VIDANGE DU COMPARTIMENT DE CUISSON

Retirez les particules ou les débris qui peuvent bloquer la vidange. Préparez une solution d'eau tiède avec du détergent sans chlorure et versez 1,9 litre (1/2 gallon) de cette solution dans le compartiment de vidange. Rincez en versant 1,9 litre (1/2 gallon) d'eau chaude dans le compartiment de vidange.

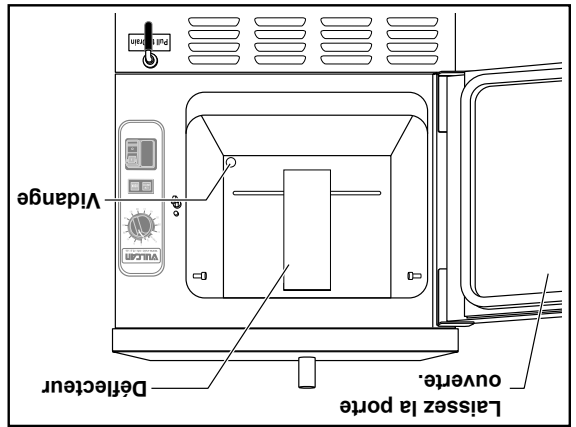


Figure 8 : Cavité du four

COMPARTIMENT

Le compartiment, les plateaux et le déflecteur doivent être nettoyés tous les jours. L'extérieur doit être nettoyé tous les jours. Retirez les plateaux en les soulevant et en les lavant à l'aide d'une solution d'eau tiède avec du détergent sans chlorure. Rincez avec de l'eau chaude.

Retirez le déflecteur du compartiment en le soulevant et en le sortant. Lavez à l'aide d'une solution d'eau tiède avec du détergent sans chlorure. Rincez avec de l'eau chaude.

REMARQUE : Si vous oubliez de remettre en place le déflecteur après le nettoyage, les performances de cuisson seront réduites.

Lavez l'intérieur du compartiment à l'aide d'une solution d'eau tiède avec du détergent sans chlorure. Rincez avec de l'eau chaude.

Nettoyez soigneusement les surfaces exposées (les côtés, la partie avant, la porte et la partie

supérieure) à l'aide d'un chiffon humide et polissez chaque jour avec un chiffon propre. Pour retirer une décoloration, utilisez un agent nettoyant non abrasif.

JOINT D'ÉTANCHÉITÉ DE LA PORTE
Nettoyez quotidiennement la surface d'étanchéité du joint de la porte du compartiment pour retirer les acides alimentaires afin d'obtenir une durée de vie maximale du joint d'étanchéité. N'utilisez aucun solvant ou instrument tranchant. Lavez à l'aide d'un chiffon imbibé d'une solution de détergent doux et d'eau tiède. Rincez à l'aide d'un chiffon propre imbibé d'eau tiède pour enlever toutes les traces de détergent.

Essayez avec un chiffon propre. N'appliquez jamais les huiles alimentaires ou les lubrifiants à base de pétrole directement sur le joint d'étanchéité de la porte. Les solvants et les lubrifiants à base de pétrole réduisent la durée de vie du joint d'étanchéité.

LAISSER LA PORTE DU COMPARTIMENT OUVERT

Laissez la porte du compartiment légèrement ouverte lorsque le cuit-vapeur n'est pas en cours d'utilisation. Lorsque le compartiment n'est pas utilisé, ne verrouillez jamais la porte et n'appliquez jamais une pression sur le joint d'étanchéité de la porte. Si vous laissez le joint sous pression, vous risquez de provoquer une déformation permanente et de réduire la durée de vie du joint.

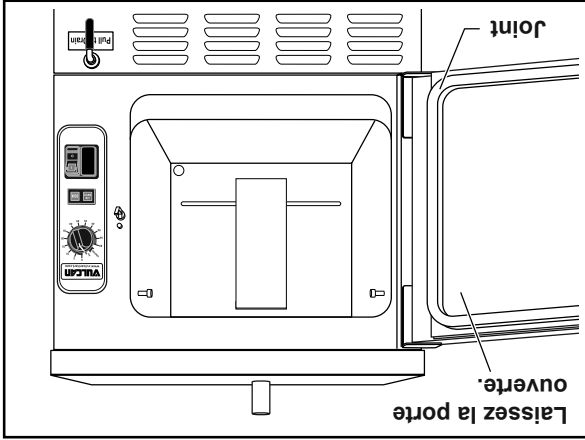




Figure 9 : Laisser la porte ouverte



ARRÊT

1. Tournez la position OFF (ARRÊT).
2. Appuyez le commutateur d'alimentation à fond à la position OFF (ARRÊT) .
3. Laissez le cuiseur à vapeur refroidir.
4. Ouvrez le robinet de vidange et vidangez l'eau du cuiseur à vapeur.
5. Ouvrez la porte du compartiment pour permettre à l'intérieur de sécher.
6. Suivez les instructions de nettoyage du présent manuel.

ARRÊT PROLONGÉ

1. Appuyez le commutateur d'alimentation à fond à la position OFF (ARRÊT) .
2. Nettoyez l'intérieur et l'extérieur de l'unité.
3. Laissez la porte ouverte.
4. Débranchez le cordon d'alimentation.

NIVEAU D'EAU BAS

1. Lorsque le voyant de niveau d'eau bas s'allume, l'unité doit être remplie d'eau. Une alarme sonore retentit.
2. Appuyez le commutateur d'alimentation à fond à la position ON (MARCHÉ) .
3. Remplissez l'unité avec de l'eau.
4. Fermez la porte.
5. Enfoncez le commutateur d'alimentation à fond à la position ON (MARCHÉ)  pour annuler l'alarme de niveau d'eau bas.
6. La minuterie reprend le décompte lorsque le cuiseur à vapeur atteint la température de cuisson.


REMARQUE : Remplissez l'unité lorsqu'il n'est pas en cours d'utilisation ou pendant les périodes creuses pour éviter de manquer d'eau. Le manque d'eau pendant un cycle de cuisson allonge le temps de cuisson. Cette mise en garde ne s'applique pas au modèle de remplissage automatique. Si le voyant d'eau basse est allumé, reportez-vous à la section Dépannage.

FONCTIONNEMENT

FONCTIONNEMENT DU CUISEUR À VAPEUR

1. Poussez le levier de vidange pour fermer le robinet de vidange.
2. Ouvrez la porte et versez de l'eau dans le compartiment de cuisson jusqu'au repère de niveau d'eau. Le repère de niveau d'eau est visible sur la paroi arrière du cuiseur à vapeur. La capacité de l'unité est de 3 gallons. **Ne remplissez pas excessivement.**
3. Fermez la porte.

REMARQUE: Sur le modèle à remplissage automatique, l'appareil se remplit automatiquement une fois que le cuiseur à vapeur se remplira jusqu'à ce que l'eau atteigne la sonde de niveau d'eau située à l'intérieur de la cavité. Si la porte est fermée, le cuiseur à vapeur chauffera l'eau pendant le cycle de remplissage initial.

4. Vérifiez que la minuterie est à la position OFF (ARRÊT).
5. Appuyez le commutateur d'alimentation à fond à la position ON (MARCHE) . Le voyant d'alimentation du commutateur s'allume en orange.
6. Réglez la minuterie sur 5 minutes. Dans environ 15 minutes, l'unité sera préchauffée et prête à cuire.
7. Réglez la minuterie sur le temps voulu (0 à 60 minutes) ou à la position CONTINUOUS (CONTINUE).
8. À la fin du cycle temporisé, une alarme sonore retentit.
9. L'unité revient à la température de ralenti. **REMARQUE:** La minuterie ne fonctionne pas jusqu'à ce que le préchauffage soit terminé.

COMMANDES

⚠ AVERTISSEMENT : Le cuiseur à vapeur et ses pièces sont chauds. Faites attention lorsque vous utilisez, nettoyez ou entreprenez le cuiseur à vapeur. Le compartiment de cuisson contient de la vapeur vive et de l'eau chaude. Éloignez-vous lorsque vous ouvrez la porte.

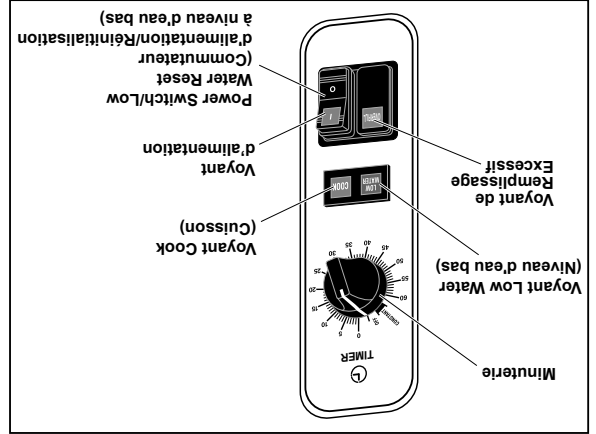


Figure 7 : Commandes

Power Switch/Low Water Reset (Commutateur d'alimentation/Réinitialisation à niveau d'eau bas) : Met l'unité en MARCHÉ et à l'ARRÊT/RÉINITIALISE LE VOYANT OU L'ALARME DE NIVEAU D'EAU BAS.

Voyant Low Water (Niveau d'eau bas) : Lorsque l'eau est allumée, il indique que l'appoint d'eau est requis.

Timer (Minuterie) : Sélectionne le temps de cuisson voulu ou la position CONTINUOUS (CONTINUE).

Voyant COOK (CUISSON) : Lorsque l'eau est allumée, il indique que la minuterie est réglée et que la porte est fermée.



Voyant de REMPLISSAGE EXCESSIF : (modèle de remplissage automatique) Lorsque l'eau est allumée, indique un problème avec la fonction de remplissage automatique (une alarme sonore retentit en cas de remplissage excessif).

5. Enregistrez la température dans le thermomètre lorsque le voyant de charge s'éteint.
 6. Comparez la température enregistrée à celle du tableau.
 - a. Si la température enregistrée est correcte, aucun réglage n'est nécessaire.
 - b. Si la température enregistrée n'est pas correcte, ajustez le réglage de température et révérifiez la lecture de température à l'aide du thermomètre.
- REMARQUE :** Si l'unité ne peut être étalonnée, appelez votre préposé à l'entretien, Vulcan agréé.
7. Si la lecture de température appropriée n'est pas atteinte après 3 tentatives, appelez votre préposé à l'entretien Vulcan agréé.

REMARQUE : La commande de température est configurée par le fournisseur en Fahrenheit et ne peut être changée en Celsius. L'affichage indique seulement la température du point de consigne.

- a. Attendez 3 secondes après le relâchement du bouton pour que la sélection soit enregistrée dans la mémoire. L'affichage clignote momentanément pour indiquer que la température est enregistrée.
- b. Laissez la température se stabiliser en achevant deux cycles de chauffage avec la porte fermée.

REMARQUE : La température affichée sur la commande est à titre de référence seulement. Lors de l'étalonnage, utilisez la température enregistrée dans le thermomètre.

3. Tournez la minuterie à la position CONTINUOUS (CONTINUE). Appuyez le commutateur d'alimentation à fond à la position ON (MARCHE) . Le commutateur d'alimentation devient orange, indiquant que l'unité est en marche.
4. Lorsque la porte est ouverte, appuyez sur le commutateur de la porte (petite tige), situé au-dessus du loquet de la porte. Le voyant COOK (CUISSON) s'allume. Relâchez le commutateur de la porte et le voyant COOK (CUISSON) s'éteint.
5. Fermez la porte du compartiment et attendez environ 10 minutes pour que l'unité se préchauffe.
6. Tournez la minuterie sur 5 minutes. La minuterie ne commence pas à décompter jusqu'à ce que la cavité atteigne la température de préchauffage.
7. Lorsque la minuterie retourne sur 0, une sonnerie retentit pour signaler la fin du cycle de cuisson. Pour interrompre la sonnerie, tournez le cadran de réglage de minuterie à la position OFF (ARRÊT).
8. Pour arrêter le cuiseur à vapeur :
 - a. Appuyez le commutateur d'alimentation à la position OFF (ARRÊT) .
 - b. Laissez le cuiseur à vapeur refroidir.
 - c. Ouvrez le robinet de vidange et vidangez l'eau du cuiseur à vapeur.
 - d. Ouvrez la porte du compartiment pour permettre à l'intérieur de sécher.

Le panneau latéral droit doit être retiré afin d'accéder au contrôleur de température. Pour obtenir un fonctionnement optimal du cuiseur à vapeur, tournez la commande de température à la température qui correspond à l'altitude à laquelle se trouve le cuiseur à vapeur.

REMARQUE: Le cuiseur à vapeur est pré-réglé à l'usine au niveau de la mer.

Un thermomètre et un thermocouple numériques portatifs sont requis.

PROCÉDURE D'ÉTALONNAGE

REMARQUE: Si le réglage de température est trop élevé, l'ébullition sera excessive et des gouttelettes d'eau chaude s'échapperont du tuyau de ventilation du cuiseur à vapeur, entraînant une forte consommation d'eau.

ALTITUDE (PI)	THERMOMÈTRE NUMÉRIQUE - °C (°F)
Niveau de la mer	99 (210)
1 000	98 (208)
2 000	97 (206)
3 000	96 (204)
4 000	94 (202)
5 000	93 (200)
6 000	93 (198)
7 000	91 (196)
8 000	90 (195)
9 000 ou plus	90 (194)

1. Retirez le panneau latéral droit.
2. Placez une sonde de température à environ un pouce vers le bas, au centre du tuyau d'évent à vapeur.
3. Mettez en marche le cuiseur à vapeur en sélectionnant le mode CONTINUOUS (CONTINU).
4. À l'aide du tableau ci-dessus, trouvez la température correspondante à l'altitude et réglez la commande de température.

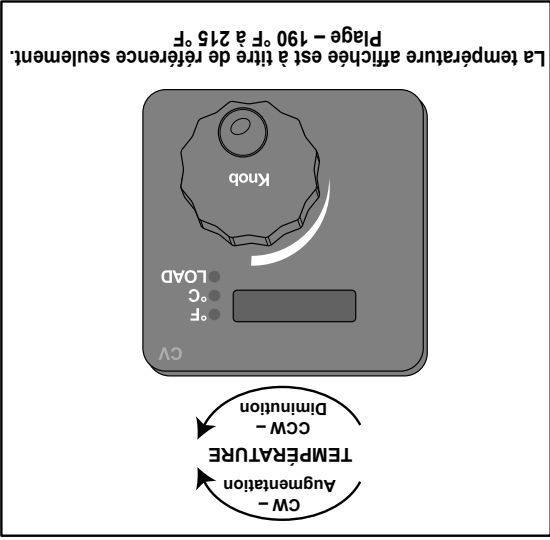
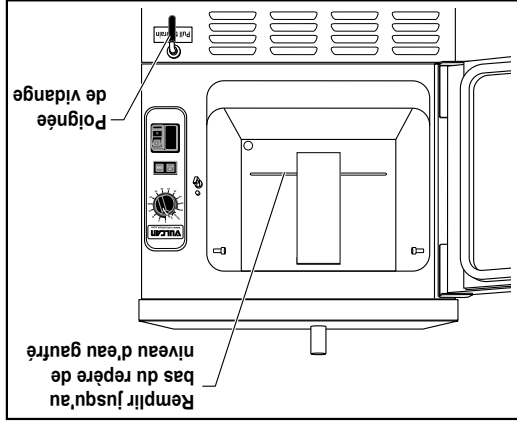


Figure 6 : Commande de température

Figure 5 : Repère de niveau d'eau



2. Fermez le robinet de vidange en poussant la poignée de vidange située dans le coin inférieur droit, vers l'intérieur. Sur les appareils de remplissage manuel, ouvrez la porte et versez de l'eau dans le compartiment de cuisson jusqu'au repère de niveau d'eau (le repère de niveau d'eau est visible sur la paroi arrière du cuisinier à vapeur). **Ne remplissez pas excessivement.**

REMARQUE: Sur le modèle à remplissage automatique, vérifiez que le tuyau d'alimentation en eau a été correctement raccordé. La pression d'eau entrante au cuisinier à vapeur doit être de 20 – 60 lb/po².

1. Vérifiez que des raccords électriques appropriés ont été effectués. Une fois que le cuisinier à vapeur est installé, testez-le soigneusement avant de l'utiliser. **Vous lorsque vous ouvrez la porte.**

AVERTISSEMENT : Le cuisinier à vapeur et ses pièces sont chauds. Faites attention lorsque vous utilisez, nettoyez ou entreenez le cuisinier à vapeur. Le compartiment de cuisson contient de la vapeur vive et de l'eau chaude. Éloignez-vous lorsque vous ouvrez la porte.

PROCÉDURE DE DÉMARRAGE DE L'ÉQUIPEMENT

Nettoyez soigneusement le cuisinier à vapeur avant de l'utiliser pour la première fois. Reportez-vous à la section NETTOYAGE du présent manuel.

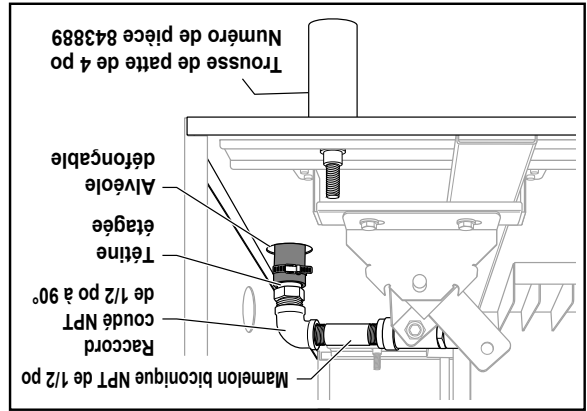
AVANT LA PREMIÈRE UTILISATION

Les codes locaux peuvent exiger que le cuisinier à vapeur soit situé sous une hotte d'aspiration. Les renseignements sur la construction et l'installation des hottes de ventilation peuvent être obtenus à partir de Vapor Removal from Cooking Equipment (Retrait de la vapeur d'un équipement de cuisson), norme NFPA numéro 96 (dernière édition).

MITRE POUR L'ÉVACUATION DES BUËES

AVIS Ne raccordez pas solidement la vidange du cuisinier à vapeur sur une tuyauterie de vidange quelconque. La vidange du cuisinier à vapeur doit évacuer dans l'atmosphère afin d'éviter de créer une contre-pression et un siphonnement à rebours éventuel dans le compartiment.

Figure 4 : Raccordement de vidange du panneau inférieur (vu lorsque le panneau latéral droit est retiré)



- Retirez la tétine étagée du dispositif de vidange.
- Retirez l'alvéole défonçable de la plaque de base.
- Installez le mamelon biconique NPT de 1/2 po sur le coude de 90° NPT de 1/2 po sur le tuyau.
- Rutilisez la tétine étagée.
- Installez la tétine étagée sur le coude à l'aide du collier, coupez à la longueur voulue ou acheminez au dispositif de vidange.

DONNÉES ÉLECTRIQUES

Modèle	Volts	KW	Amperage à 1PH	Amperage à 3PH
C24EO3	208	8	38,5	22,2
	240	8	33,3	19,2
C24EO5	208	12	57,7	33,3
	240	12	50,0	28,9
	480	12	S.O.	14,4

BRANCHEMENTS D'ALIMENTATION

Raccordements d'eau (appareils de remplissage manuel)

Aucun raccordement d'alimentation en eau n'est requis, car le cuiseur à vapeur est rempli manuellement.

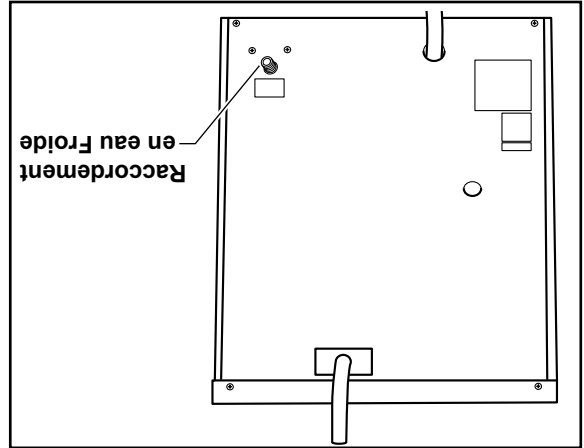
Raccordements d'eau (appareils de remplissage automatique)

REMARQUE: Les cuiseurs à vapeur se remplissent automatiquement si le niveau d'eau est bas.

Raccordez le tuyau d'alimentation en eau froide au raccord d'entrée mâle de 3/4 po (19 mm) (filetage extérieur).

Un robinet d'arrêt manuel doit être fourni dans un emplacement idéal à proximité du cuiseur à vapeur.

La pression d'eau entrante doit être de 20 – 60 lb/po².



Besoins en eau

Une bonne qualité de l'eau peut améliorer le goût des aliments préparés dans le cuiseur à vapeur, réduire le chaulage dans le générateur de vapeur et prolonger la durée de vie de l'équipement. Les conditions hydrologiques varient d'un endroit à un autre. La présence de teneur en fer, la quantité de chloration et les gaz dissous pourraient affecter le goût. L'ajout d'un filtre à bloc de carbone à l'entrée d'eau améliorera le goût.

Raccordement de vidange

Le cuiseur à vapeur C24EO peut être configuré pour vidanger par l'intermédiaire du panneau arrière ou de la plaque d'assise.

L'unité est configurée en usine pour être vidangée par le panneau arrière. L'unité est fournie avec un flexible de 12 po de long et de 5/8 po de diamètre intérieur. Si cette longueur est insuffisante, retirez le flexible et installez un neuf commandé à la longueur voulue. Le numéro de pièce défini en usine du flexible en silicone est 557475. Le de 5/8 po de diamètre intérieur, est 557475. Le flexible est vendu par pied.

Reportez-vous à la figure 3.

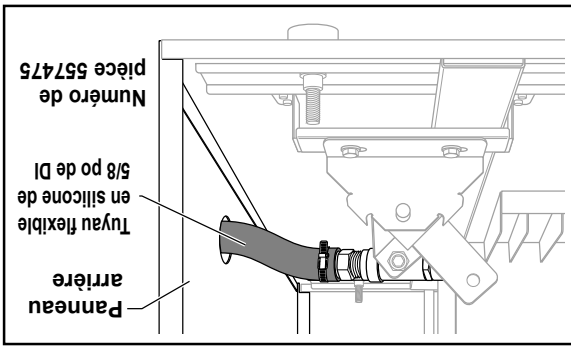


Figure 3 : Raccordement de vidange du panneau arrière (vu lorsque le panneau latéral droit est retiré)

Pour configurer sur le terrain la vidange par la plaque d'assise, la troussée de patte de 4 po (numéro de pièce : 843889) est requise. Un mamelon biconique de tuyauterie NPT de 1/2 po (1 1/8 po de long) et un coude de 90° NPT de 1/2 po sont également requis et sont disponibles auprès des centres locaux de rénovation ou des magasins d'articles de plomberie.

1. Retirez le panneau latéral droit.

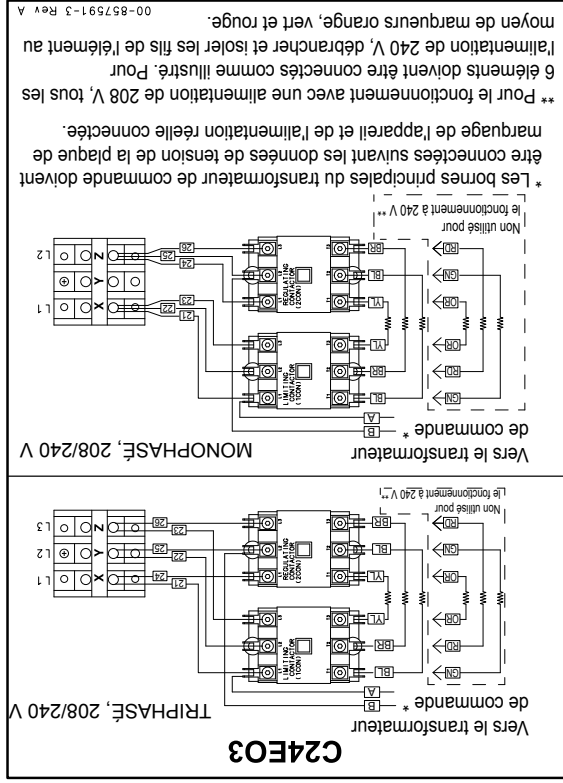
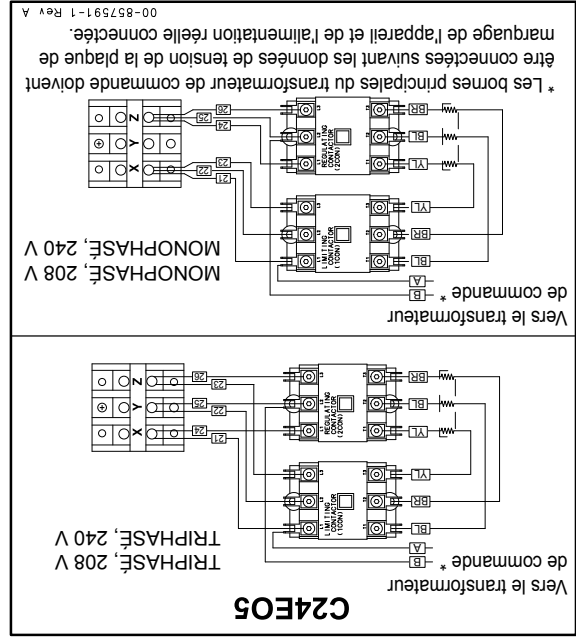
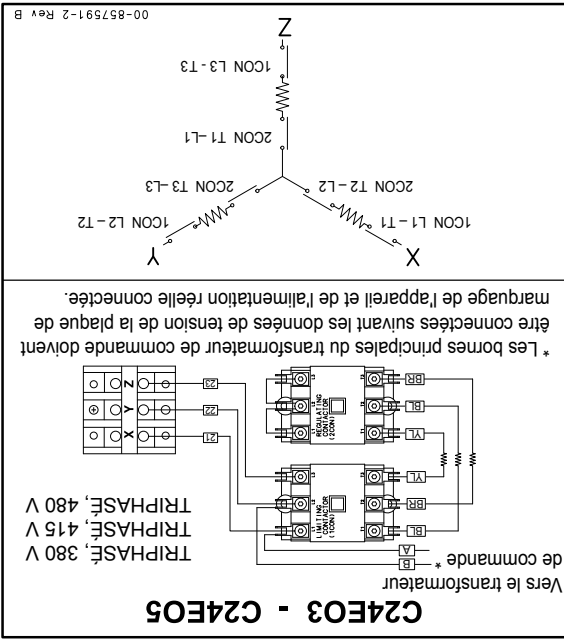
RACCORDEMENT ELECTRIQUES

AVERTISSEMENT : Les raccordements électriques et à la terre doivent être conformes aux sections applicables du Code national de l'électricité et aux autres codes locaux en matière d'électricité.

Lorsque vous effectuez des branchements électriques, utilisez du fil de cuivre approprié pour une température d'au moins 90 °C (200 °F). Le cuisEUR à vapeur doit être mis à la terre. Le schéma de câblage se trouve à l'intérieur du panneau de droite.

Les cuisEURS à vapeur sont câblés pour un circuit triphasé et peuvent être convertis en monophasé, en déplaçant les fils de raccordement sur le bornier comme illustré sur le schéma de câblage.

CUISEUR À VAPEUR DE SÉRIE C24E0



Au Canada :

1. Codes locaux.
2. Code canadien de l'électricité, CSA C22.2 (dernière édition). Des exemplaires peuvent être obtenus auprès de l'Association canadienne de normalisation, 5060 Spectrum Way, Suite 100, Mississauga, Ontario, Canada L4W 5N6.

EMPLACEMENT

L'emplacement d'installation doit permettre un dégagement adéquat à des fins d'entretien et de bon fonctionnement. Le dégagement minimal pour une bonne circulation de l'air est de 5,1 cm (2 po) sur les côtés et de 15,2 cm (6 po) à l'arrière.

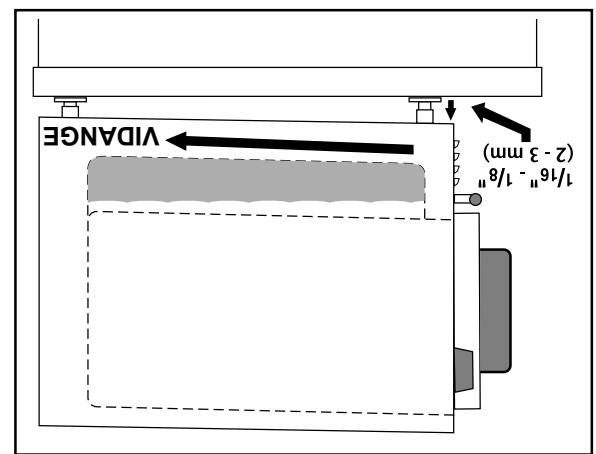
PIEDS DE MISE À NIVEAU

Ce cuisEUR à vapeur est expédié avec quatre pieds de mise à niveau de 2 po. Les pieds de mise à niveau de 4 po sont disponibles en option. Les pieds de 2 po peuvent être retirés et ceux de 4 po en option peuvent être filetés dans les trous sur la partie inférieure de l'unité.

MISE À NIVEAU

Positionnez et mettez à niveau l'unité à l'aide des pieds de mise à niveau. L'avant de l'unité doit être de $\frac{1}{16}$ po à $\frac{1}{8}$ po plus haut que l'arrière comme indiqué dans la figure 1. L'unité doit être mise à niveau d'un côté à l'autre. Mettez le cuisEUR à vapeur à niveau de l'avant vers l'arrière et d'un côté à l'autre en tournant les pieds réglables.

Figure 1 : Mise à niveau du cuisEUR à vapeur



ANCRAGE DU CUISEUR À VAPEUR

1. Placez le cuisEUR à vapeur à l'emplacement voulu sur le comptoir et marquez les quatre coins. Retirez le cuisEUR à vapeur et percez des trous de $\frac{1}{2}$ po comme indiqué dans la figure 2.
2. Appliquez un cordon de RTV ou d'autres joints d'étanchéité NSF homologués autour du bord inférieur du cuisEUR à vapeur. Si vous ancrez le cuisEUR à vapeur, ce joint intérieur est nécessaire pour répondre aux exigences de la norme NSF.
3. Posez le cuisEUR à vapeur sur le comptoir et boulonnez-le fermement à l'aide des boulons de $\frac{3}{8}$ po sur 1,6 po (non fournis). La longueur de la vis doit être égale à l'épaisseur de la table plus $\frac{1}{2}$ po pour obtenir un engagement approprié du filetage.

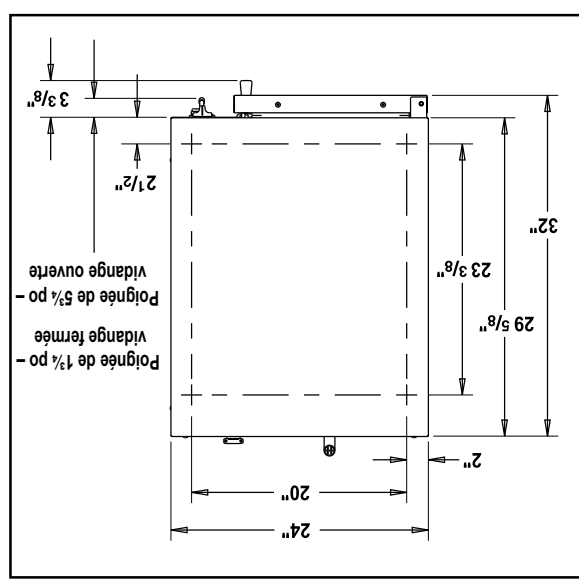


Figure 2 : Ancrage du cuisEUR à vapeur

ACCESSOIRES EN OPTION

Les accessoires en option tels que les supports et la trousse d'empilage sont accompagnés d'instructions relatives à l'assemblage.

INSTALLATION, FONCTIONNEMENT ET ENTRETIEN DES CUISEURS À VAPEUR DE SÉRIE C24EO

VEUILLEZ CONSERVER CE MANUEL EN VUE D'UNE UTILISATION ULTÉRIEURE

GÉNÉRALITÉS

Les cuiseurs à vapeur et à convection de marque Vulcan sont produits au moyen d'une main-d'œuvre et de matériaux de qualité. Une installation, une utilisation et un entretien appropriés se traduiront par plusieurs années de rendement satisfaisant. Il vous est recommandé de lire attentivement ce manuel dans son intégralité et de suivre soigneusement toutes les instructions fournies.

Le cuiseur à vapeur C24EO3 est doté d'une puissance nominale de 8,0 kW et le cuiseur à vapeur C24EO5 est doté d'une puissance nominale de 12,0 kW.

Le modèle C24EO3 peut accueillir trois récipients de table à vapeur de 6,4 cm (2 1/2 po) de profondeur. Le modèle C24EO5 peut accueillir cinq récipients de table à vapeur de 6,4 cm (2 1/2 po) de profondeur. Les cuiseurs à vapeur et à convection électrique C24EO3 et C24EO5 sont conçus pour cuire les légumes, les œufs et d'autres aliments, dans les cuisines commerciales. Le cuiseur à vapeur est doté d'une minuterie de 0 à 60 minutes. Les cuiseurs à vapeur sont conçus pour être installés sur des comptoirs ou des supports en option.

Les modèles de remplissage automatique C24EO3AF et C24EO5AF sont nouveaux dans cette gamme de produits. Avec ces modèles, la cavité d'eau se remplit automatiquement. Les dimensions physiques, les instructions de cuisson et les spécifications électriques sont identiques à celles des modèles standard C24EO.

INSTALLATION

Avant d'installer, vérifiez que l'alimentation électrique est conforme aux spécifications de la plaque signalétique située à l'avant du cuiseur, dans le coin inférieur droit. Si les exigences relatives à l'alimentation et à l'équipement ne sont pas respectées, ne procédez pas à l'installation. Communiquez immédiatement avec votre concessionnaire Vulcan.

1. Codes de l'État et codes locaux.

Aux États-Unis d'Amérique :

Le cuiseur à vapeur doit être installé conformément aux normes et codes ci-après :

CODES ET NORMES D'INSTALLATION

Ce cuiseur à vapeur a été inspecté avant de quitter l'usine. La société de transport assume l'entière responsabilité de la livraison en bon état du fait de l'acceptation de l'expédition. Immédiatement après le déballage, vérifiez s'il y a des dommages éventuels liés au transport. Si le cuiseur à vapeur est endommagé, conservez le matériel d'emballage et communiquez avec le transporteur dans les 15 jours qui suivent la livraison.

DÉBALLAGE

Le modèle C24EO3 est expédié précâblé avec les caractéristiques suivantes : 208 V, 50 à 60 Hz, triphasé. Le fonctionnement monophasé à 240 V requiert des modifications au niveau des caractéristiques ci-après de branchement du dispositif de chauffage : 240 V, 50 à 60 Hz, triphasé/240 V, 50 à 60 Hz, monophasé et 208 V, 50 à 60 Hz, monophasé. Le modèle C24EO5 est spécifique à la tension. Il est disponible avec les caractéristiques suivantes : 208 V, 50 à 60 Hz, triphasé/240 V, 50 à 60 Hz, triphasé et 208 V, 50 à 60 Hz, monophasé. Il peut être converti sur le terrain en monophasé.

2. National Electrical Code (Code national de l'électricité), ANSI/NFPA-70 (dernière édition). Des exemplaires peuvent être obtenus auprès de la National Fire Protection Association (Association nationale de protection contre l'incendie), Batterymarch Park, Quincy, MA 02269.

3. *Vapor Removal from Cooking Equipment* (Retrait de la vapeur d'un équipement de cuisson), (NFPA-96, dernière édition) disponible auprès de la NFPA.

18	LIGNES DIRECTRICES RELATIVES À LA CUISSON.....
18	Préparation.....
18	Aliments congelés.....
19	ALIMENTS À CUIRE DANS DES PLATEAUX SOLIDES.....
20	ALIMENTS À CUIRE DANS DES PLATEAUX PERFORÉS.....
22	DÉPANNAGE.....
23	RENSEIGNEMENTS SUR L'ENTRETIEN ET LES PIÈCES.....

18	TAILLES DE PLATEAU ACCEPTABLES.....
18	SUGGESTIONS RELATIVES À LA CUISSON.....
17	JOINT D'ÉTANCHÉITÉ DE LA PORTE.....
17	RETRAIT DES DÉPÔTS CALCAIRES.....
17	ENTRETIEN.....
15	ENTRETIEN ET NETTOYAGE DE L'ÉQUIPEMENT EN ACIER INOXYDABLE.....
14	LAISSER LA PORTE DU COMPARTIMENT OUVERT.....
14	JOINT D'ÉTANCHÉITÉ DE LA PORTE.....
14	COMPARTIMENT.....
14	VIDANGE DU COMPARTIMENT DE CUISSON.....
14	NETTOYAGE.....
13	ARRÊT PROLONGÉ.....
13	ARRÊT.....
13	NIVEAU D'EAU BAS.....
12	FONCTIONNEMENT DU CUISEUR À VAPEUR.....
12	COMMANDES.....
12	FONCTIONNEMENT.....
10	Procédure d'étalonnage.....
9	PROCÉDURE DE DÉMARRAGE DE L'ÉQUIPEMENT.....
9	AVANT LA PREMIÈRE UTILISATION.....
9	MITRE POUR L'ÉVACUATION DES BUÈES.....
8	Raccordement de vidange.....
8	Besoins en eau.....
8	Raccordements d'eau (appareils de remplissage automatique).....
8	Raccordements d'eau (appareils de remplissage manuel).....
8	BRANCHEMENTS D'ALIMENTATION.....
8	DONNÉES ÉLECTRIQUES.....
7	RACCORDEMENT ÉLECTRIQUES.....
6	ACCESSOIRES EN OPTION.....
6	ANCRAGE DU CUISEUR À VAPEUR.....
6	MISE À NIVEAU.....
6	PIEDS DE MISE À NIVEAU.....
6	EMPLACEMENT.....
5	CODES ET NORMES D'INSTALLATION.....
5	DÉBALLAGE.....
5	INSTALLATION.....
5	GÉNÉRALITÉS.....
5	INSTALLATION, FONCTIONNEMENT ET ENTRETIEN DES CUISEURS À VAPEUR DE SÉRIE C24EO.....

CONTENU

EN CAS DE PANNE D'ÉLECTRICITÉ, N'ESSAYEZ PAS DE FAIRE FONCTIONNER CET APPAREIL.

UNE INSTALLATION, UN RÉGLAGE, UNE ALTÉRATION, UN SERVICE OU UN ENTRETIEN INAPPROPRIÉ PEUT PROVOQUER DES DOMMAGES, DES BLESSURES VOIRE LA MORT. LISEZ ATTENTIVEMENT LES INSTRUCTIONS RELATIVES À L'INSTALLATION, AU FONCTIONNEMENT ET À L'ENTRETIEN AVANT D'INSTALLER OU D'ENTREtenir CET ÉQUIPEMENT.

⚠ AVERTISSEMENT

CE MANUEL EST DESTINÉ AU PERSONNEL QUALIFIÉ POUR INSTALLER CET ÉQUIPEMENT, QUI DOIT EFFECTUER LE DÉMARRAGE ET LES RÉGLAGES INITIAUX SUR LE TERRAIN DE L'ÉQUIPEMENT DÉCRIT DANS LE PRÉSENT MANUEL.

IMPORTANT POUR VOTRE SÉCURITÉ



MANUEL D'INSTALLATION ET D'UTILISATION

CUISEUR À VAPEUR DE SÉRIE C24EO

MODÈLE ML

REMPLISSAGE MANUEL

C24EO3 ML-136006

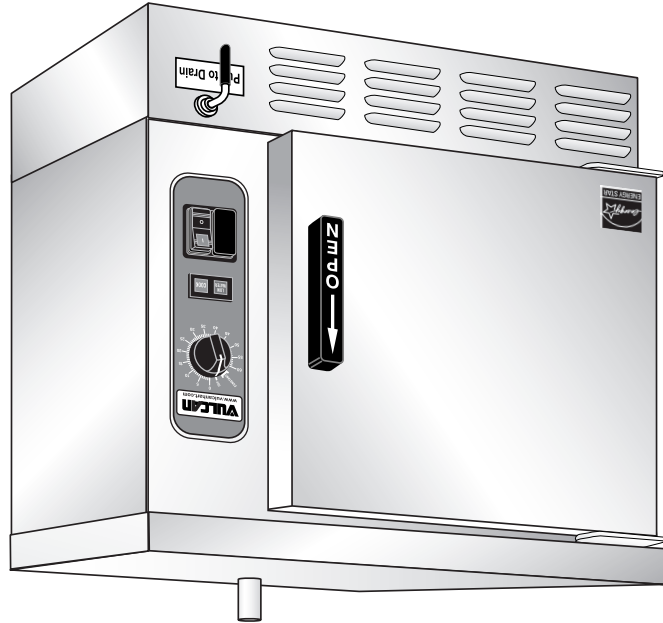
C24EO5 ML-136007

TECHNOLOGIE DE

REMPLISSAGE MANUEL

C24EO3AF ML-152054

C24EO5AF ML-152055



Pour de plus amples renseignements sur Vulcan ou pour localiser un fournisseur agréé de pièces ou de services dans votre région, visitez notre site à l'adresse www.vulcanequipment.com

VULCAN

DIVISION OF ITW FOOD EQUIPMENT GROUP, LLC

3600 NORTH POINT BLVD.
BALTIMORE, MD 21222

WWW.VULCANEQUIPMENT.COM

FORMULAIRE F-37496 Rév. A (10-18)